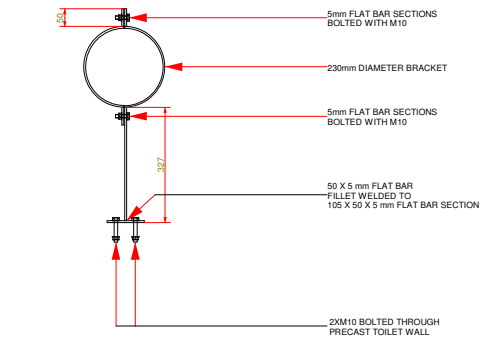
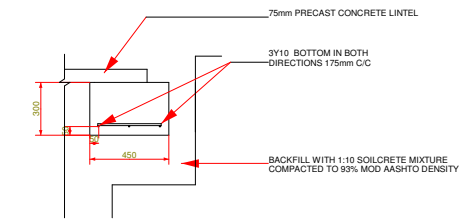


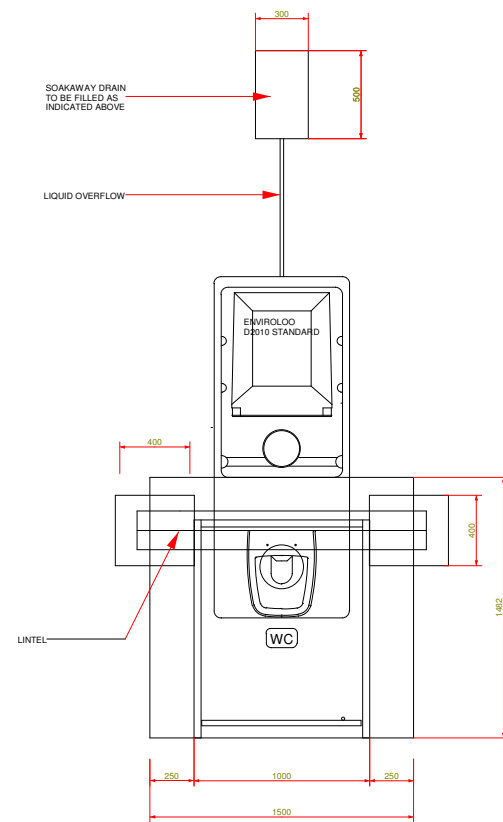
TYPICAL SECTION OF TOILET STRUCTURE 1:20



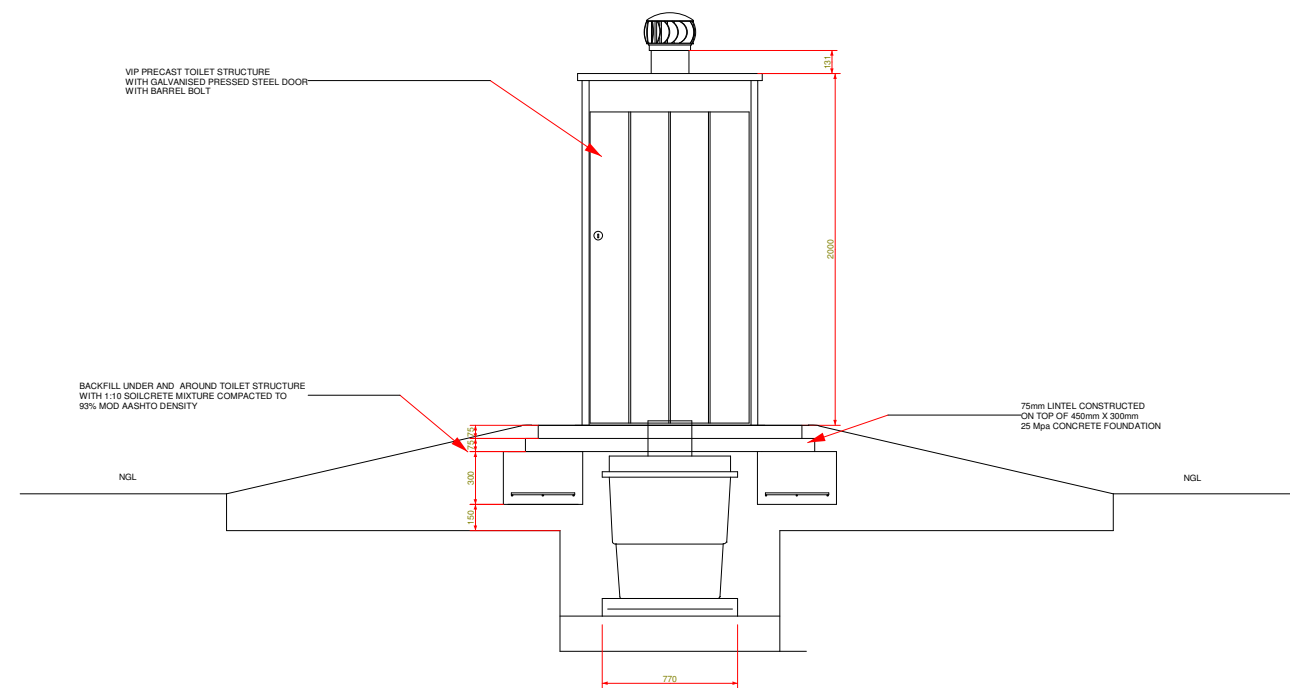
BRACKET DETAIL 1:10



FOUNDATION DETAIL 1:20



TOP VIEW 1:20



FRONT SECTION VIEW 1:20

| REVISION |      |             |
|----------|------|-------------|
| NO.      | DATE | DESCRIPTION |
|          |      |             |
|          |      |             |
|          |      |             |

NOTES



**BLOUBERG MUNICIPALITY**  
 PO Box 1593, Senwabarwana  
 Tel: 015 505 7100  
 Fax: 015 505 0568 / 0296  
 Email: MtsokoM@blouberg.gov.za



**DIKGABO CONSULTING ENGINEERS**  
 PO Box 1365, Gallo Manor, 2052  
 Tel: 011 656 4075  
 Fax: 086 550 7497  
 Email: floyd@dikgabo.co.za

|           |           |
|-----------|-----------|
| DESIGN    | F RAKAU   |
| REG. NO.  | 20070023  |
| SIGNATURE |           |
| DATE      |           |
| DRAWN BY  | M MNGADI  |
| ENGINEER  | F M RAKAU |
| REG. NO.  | 20070023  |
| SIGNATURE |           |
| DATE      |           |
| CLIENT    |           |
| SIGNATURE | DATE      |

PROJECT  
**TOWERFONTEIN CRÉCHE**

DRAWING TITLE  
**VIP TOILET DETAILS**

|              |                  |
|--------------|------------------|
| DATE         | OCTOBER 2019     |
| SCALE        | AS SHOWN         |
| PROJECT NO.  | BM07/18/19       |
| SHEET NO.    | BM07/18/19 - 008 |
| PRINT ISSUED | -                |
| File Path    |                  |