

| NO. | DATE | SIGNATURE | DESCRIPTION |
|-----|------|-----------|-------------|
| | | | |
| | | | |
| | | | |
| | | | |
| | | | |

| | |
|-----------------------|----------|
| DESIGNED BY: | R. ZIGAH |
| DESIGN CHECKED BY: | L. ROYBA |
| DRAWN BY: | R. ZIGAH |
| DRAWING CHECKED BY: | L. ROYBA |
| FUNCTION APPROVAL BY: | ITV NDOU |

T2-Tech
ENGINEERS (PTY) LTD

12-TECH ENGINEERS (PTY) LTD
12A, CHURCH STREET
P.O. BOX 1583
PAINA VILLE, 0987
POLYVALE, 0900
TEL: 015 291 3300
FAX: 015 292 3316
E-MAIL: info@t2tech.co.za
Website: www.t2tech.co.za

PROJECT TITLE: **TENDER DRAWING**
DRAWING TITLE: **PINKIE SEBOTSE SPORTS FACILITY**
LOCALITY MAP



CLIENT ADDRESS: **BLOEMFONTEIN MUNICIPALITY**
P.O. Box 1583
BLOEMFONTEIN,
0100

| | |
|----------------------|----------|
| CHECKED BY: | |
| NAME: | L. ROYBA |
| DATE: | |
| SIGNATURE: | |
| CONSULTANT APPROVAL: | |

THE ABOVE SIGNATORY
AND CHECKER HAVE SEEN
AND APPROVED THE
DRAWING

| | |
|--------------------------|----------------|
| INTERNAL PROJECT NUMBER: | BM 01/2/122 |
| REVISION NUMBER: | 00 |
| PAPER SCALE: | AS SHOWN |
| DRAWING NUMBER: | T2102PPD00LM04 |
| SHEET NUMBER: | 1 OF 1 |



| REV. | DATE | REVISION |
|------|------|----------|
| | | |
| | | |
| | | |
| | | |

| | |
|------------------------|----------|
| DESIGNED BY: | R. ZIGAH |
| CHECKED BY: | L. RYOBA |
| DRAWN BY: | R. ZIGAH |
| DRAWING CHECKED BY: | L. RYOBA |
| DIRECTION APPROVAL BY: | TFV NDOU |

T2-Tech
ENGINEERS (PTY) LTD
12-TECH ENGINEERS (PTY) LTD
12-TECH ENGINEERS (PTY) LTD
12-TECH ENGINEERS (PTY) LTD
12-TECH ENGINEERS (PTY) LTD
12-TECH ENGINEERS (PTY) LTD
12-TECH ENGINEERS (PTY) LTD
12-TECH ENGINEERS (PTY) LTD
12-TECH ENGINEERS (PTY) LTD
12-TECH ENGINEERS (PTY) LTD

CONSULTING LOGO:
CONSULTING ADDRESS:
CONSULTING PHONE:
CONSULTING FAX:
CONSULTING EMAIL:
CONSULTING WEBSITE:

TENDER DRAWING
PROJECT TITLE:
PINKIE SEBOTSE SPORTS FACILITY
DRAWING TITLE:
SOCCER FIELD DETAILS

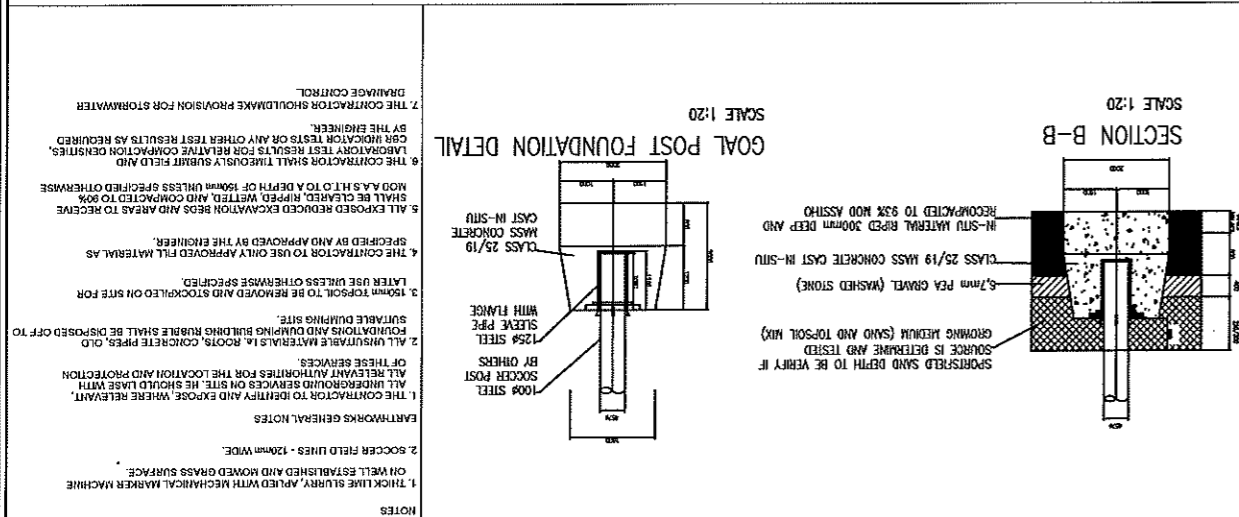
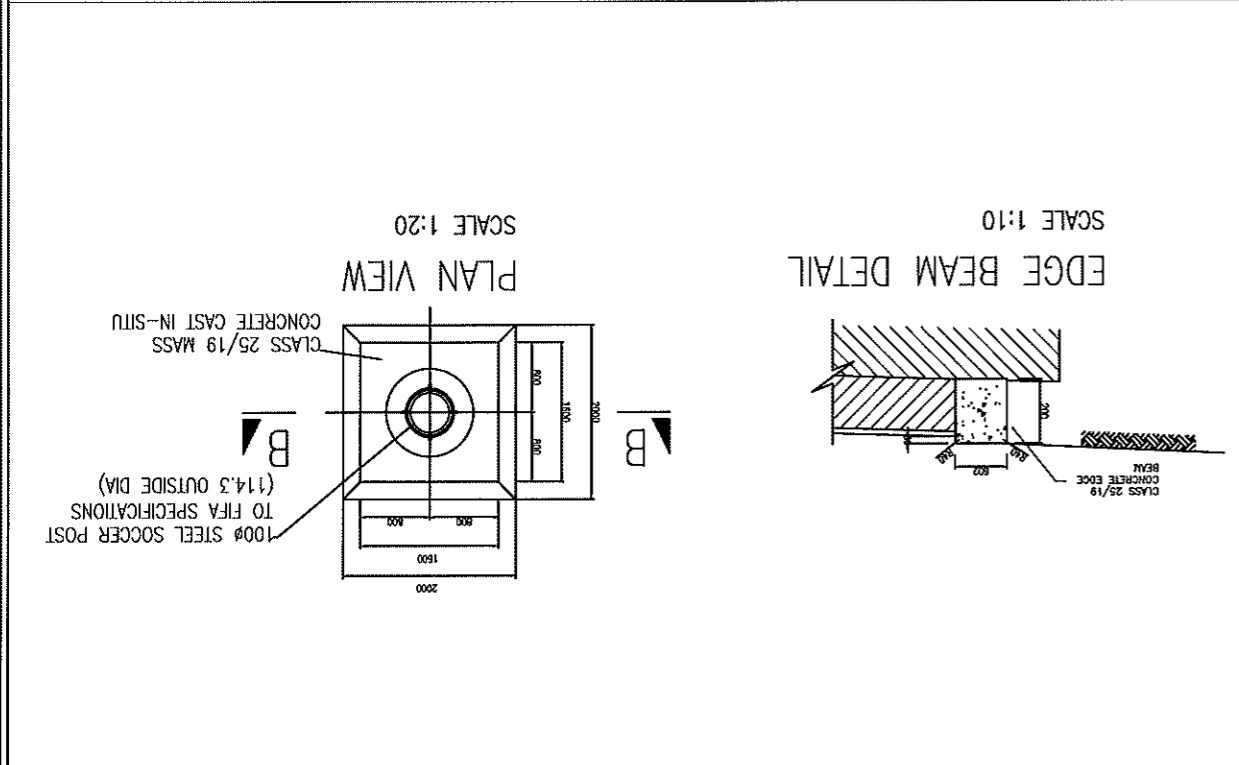
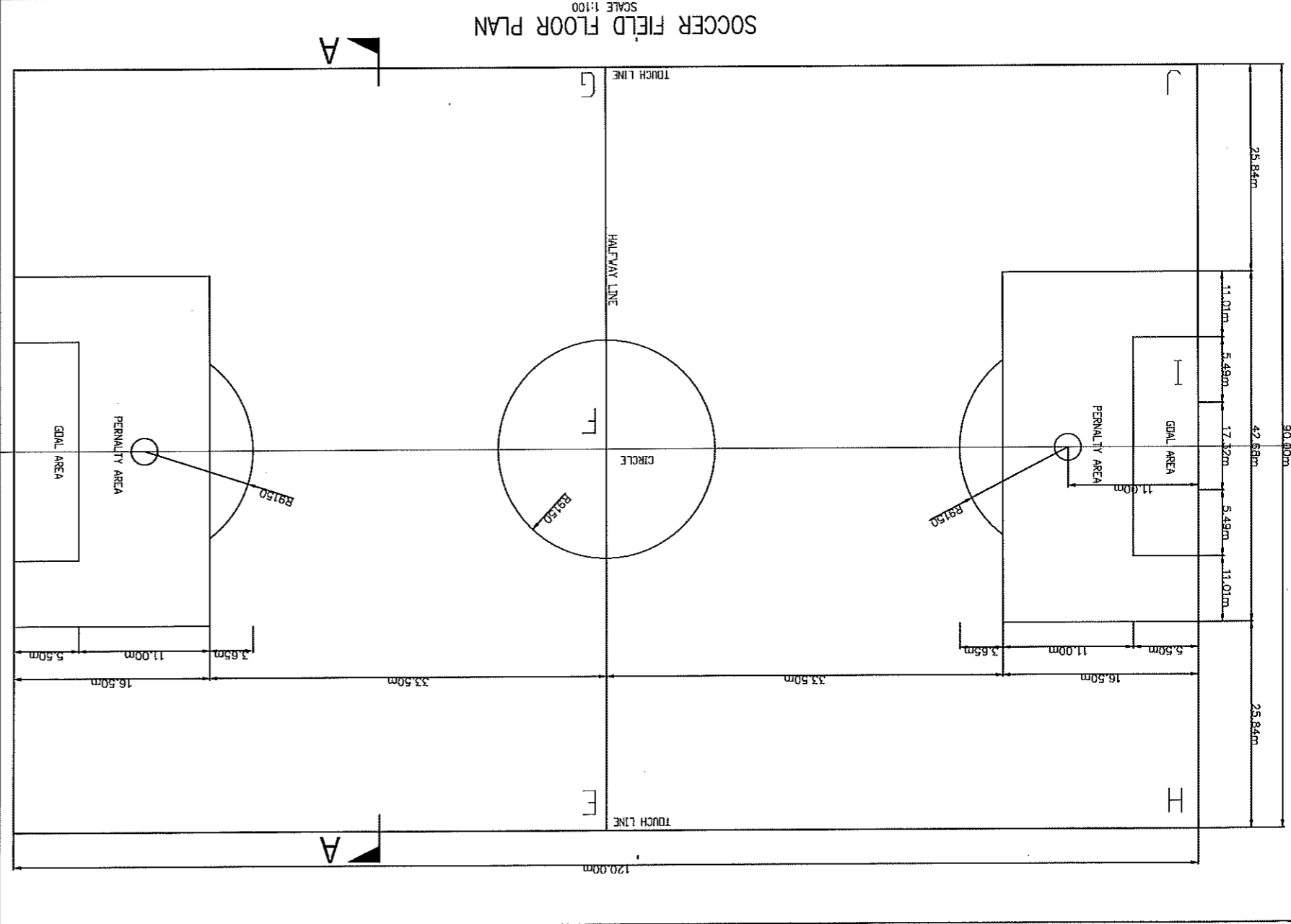
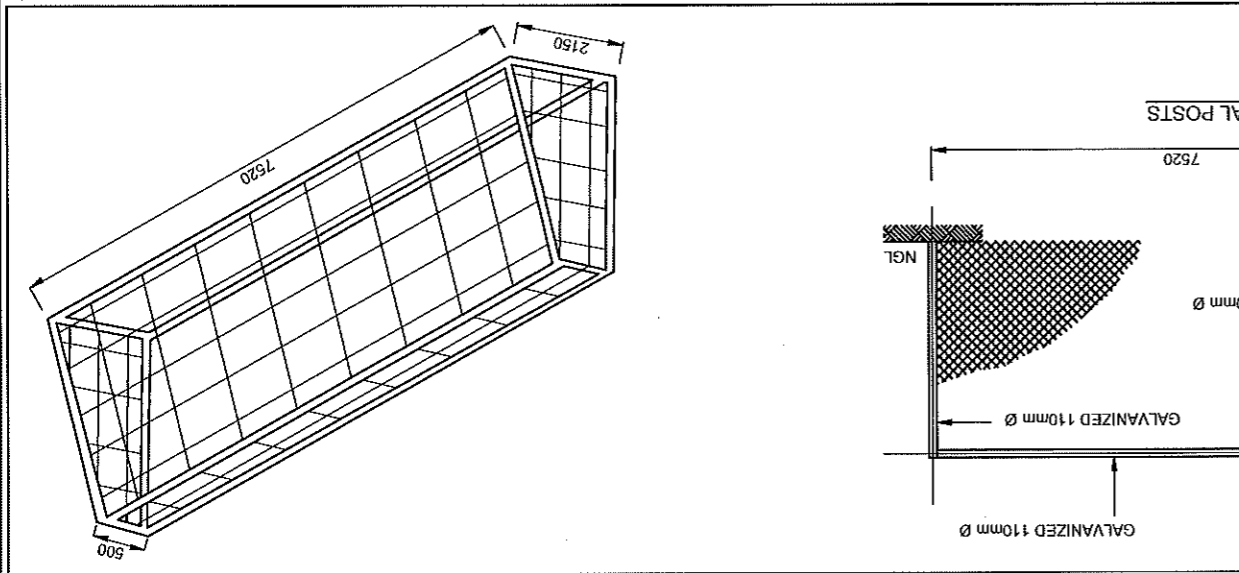
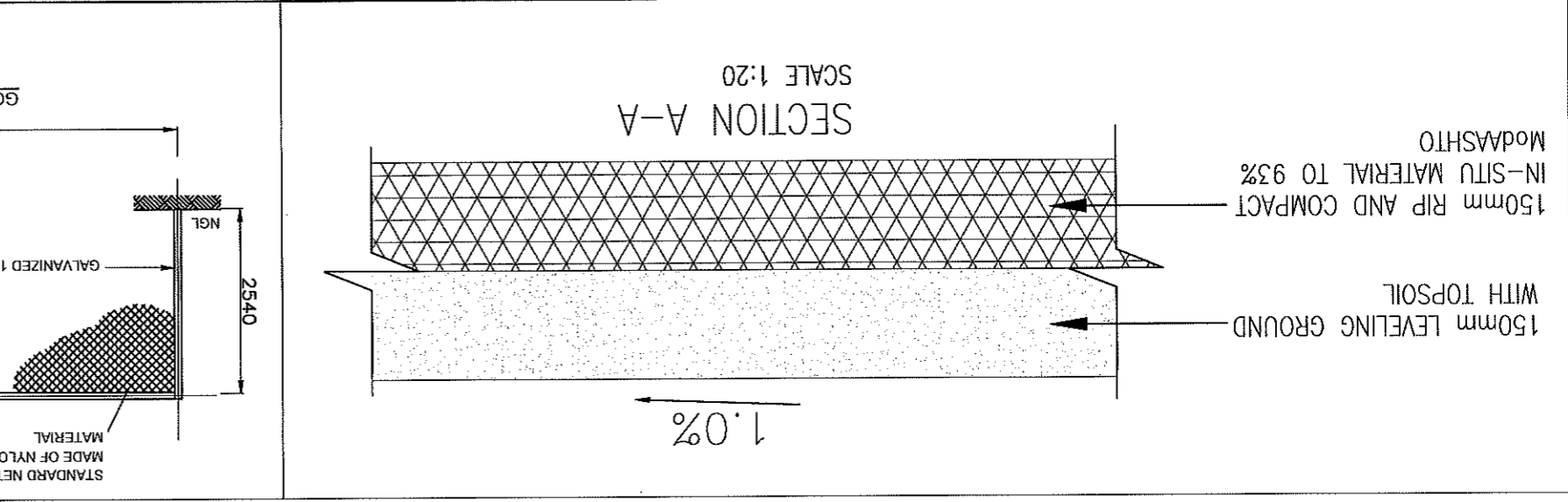


CLIENT ADDRESS:
BLONBERG MUNICIPALITY
P.O. Box 1593
SHEPHERDSVILLE
2019
TEL: 011 954 1700
FAX: 011 955 047073

| | |
|------------------|------------|
| DATE: | |
| SIGNATURE: | |
| DATE: | |
| SIGNATURE: | |
| NAME: | L. RYOBA |
| ECOSA: REG. NO.: | 2019300358 |
| NAME: | TFV NDOU |
| ECOSA: REG. NO.: | 200670155 |

CONSULTANT APPROVAL:
THE ABOVE SIGNATORY
AND CHECKER HAVE SEEN
AND APPROVED THE
DRAWING

| | |
|--------------------------|----------------|
| INTERNAL PROJECT NUMBER: | BM 01/2/122 |
| SCALE: | A1 |
| DRAWING NUMBER: | T2102PPD00SF06 |
| SHEET NUMBER: | 1 OF 1 |



NOTES

1. THICK LIME SLURRY, APPLIED WITH MECHANICAL SPANNER MACHINE ON WELL ESTABLISHED AND HOMOGENEOUS SURFACE.
2. SOCCER FIELD LINES - 125mm WIDE.
3. EARTHWORKS GENERAL NOTES.
1. THE CONTRACTOR TO IDENTIFY AND EXPOSE WHERE RELEVANT, ALL RELEVANT AUTHORITIES FOR THE LOCATION AND PROTECTION OF THESE SERVICES.
2. ALL UNDESIRABLE MATERIALS (e.g. ROOTS, CONCRETE PIECES, OLD FOUNDATIONS AND DAMPING BUILDING RUBBLE) SHALL BE DISPOSED OFF TO SUITABLE DUMPING SITE.
3. 150mm TOPSOIL TO BE REMOVED AND STOCKPILED ON SITE FOR LATER USE UNLESS OTHERWISE SPECIFIED.
4. THE CONTRACTOR TO USE ONLY APPROVED FILL MATERIAL AS SPECIFIED BY AND APPROVED BY THE ENGINEER.
5. ALL EXPOSED REDUCED EXCAVATION BEDS AND AREAS TO RECEIVE MASS CONCRETE CAST IN-SITU.
6. THE CONTRACTOR SHALL TAKE ONLY SUITABLE FIELD AND LABORATORY TEST RESULTS FOR RELATIVE COMPACTION DENSITIES, CORRELATION TESTS OR ANY OTHER TEST RESULTS AS REQUIRED, BY THE ENGINEER.
7. THE CONTRACTOR SHOULD MAKE PROVISION FOR STORMWATER DRAINAGE CONTROL.

| REV. | DATE | REVISION | DESCRIPTION |
|------|------|----------|-------------|
| | | | |
| | | | |
| | | | |
| | | | |
| | | | |
| | | | |
| | | | |
| | | | |
| | | | |

| | |
|------------------------|----------|
| DESIGNED BY: | R. ZIGAH |
| DESIGN CHECKED: | L. RYOBA |
| DRAWN BY: | R. ZIGAH |
| DRAWING CHECKED BY: | L. RYOBA |
| DIRECTION APPROVAL BY: | TFV NDOU |

T2-Tech
ENGINEERS (PTY) LTD

REG. NO. 2018/03512/0218
FAC. NO. 1593
P.O. BOX 1593
DURBAN
KwaZulu-Natal
3600

CONSULTING ADDRESS:
12-TECH ENGINEERS (PTY) LTD
12A CHURCH STREET
FARMER PARK 3607
DURBAN 3601
KwaZulu-Natal
3600

TENDER DRAWING

PINKIE SEBOTSE SPORTS FACILITY

RUGBY FIELD DETAILS



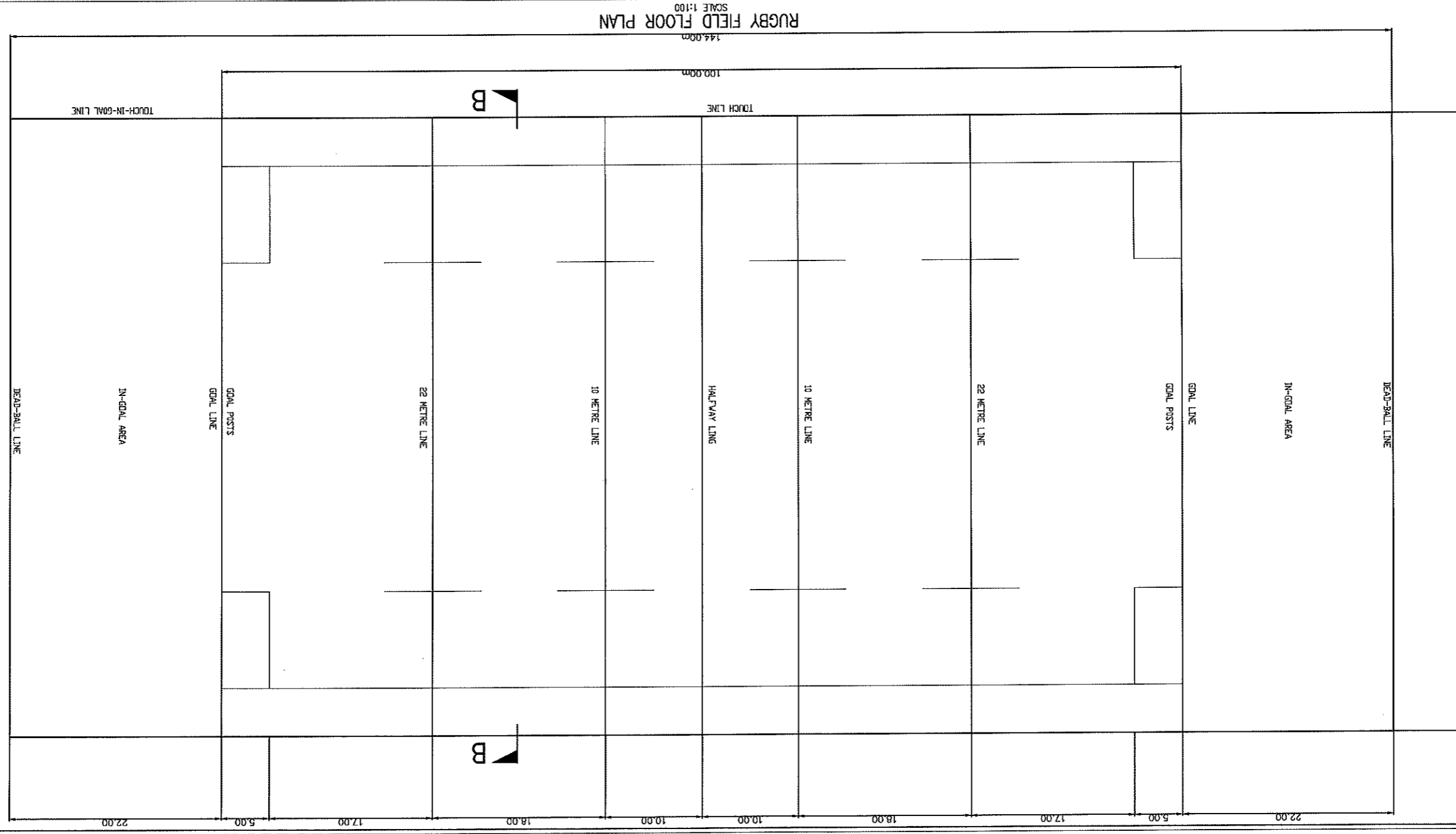
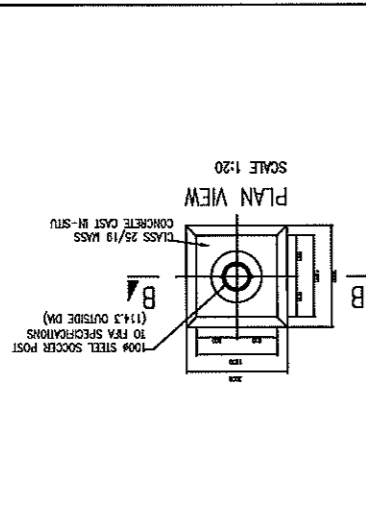
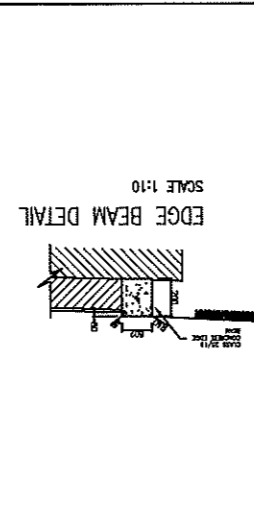
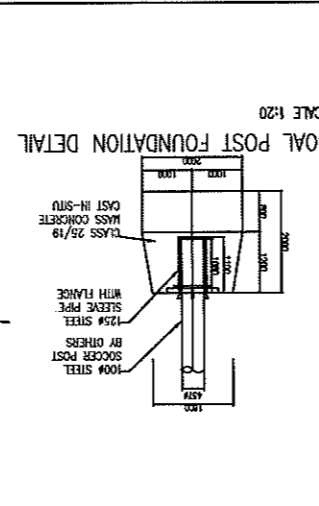
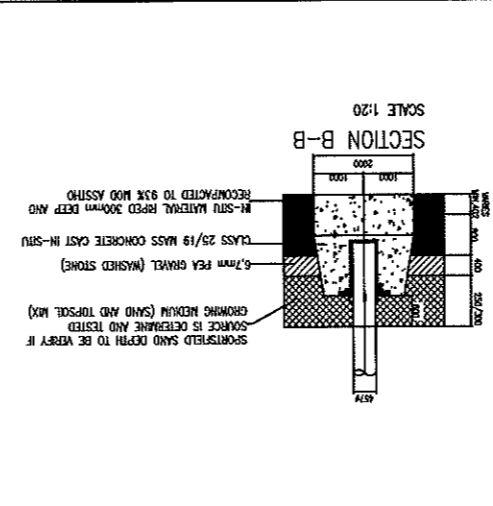
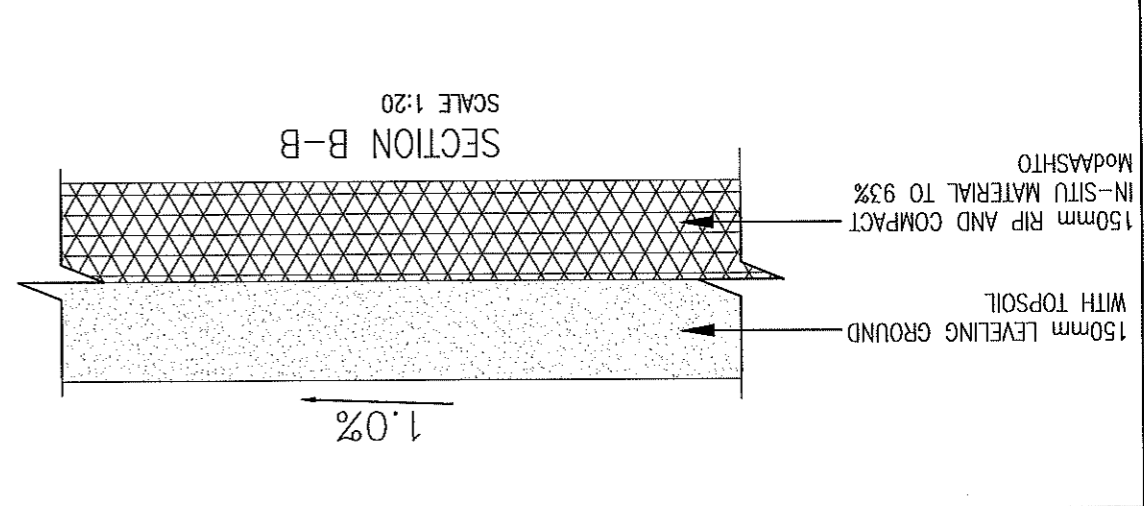
CLIENT ADDRESS:
BLUBERG MUNICIPALITY
P.O. Box 1593
DURBAN
3600

CHECKED BY: NAME: L. RYOBA
DATE: _____
ECSA: REG. NO. 2018000358

CONSULTANT APPROVAL:
NAME: TFV NDOU
DATE: _____
ECSA: REG. NO. 200670156

THE ABOVE SIGNATORY AND CHECKER HAVE SEEN AND APPROVED THE DRAWING

| | |
|--------------------------|---------------|
| REVISION NUMBER: | 00 |
| INTERNAL PROJECT NUMBER: | BM 01/21/22 |
| DRAWING NUMBER: | T2102PP00RF07 |
| SHEET NUMBER: | 1 OF 1 |



NOTES

1. THICK LINE ESTABLISHED AND MOWED GRASS SURFACE.
2. SOCCER FIELD LINES - 120mm WIDE.
3. THE CONTRACTOR TO IDENTIFY AND EXPOSE, WHERE RELEVANT, ALL UNDERGROUND SERVICES ON SITE. HE SHOULD LIAISE WITH ALL RELEVANT AUTHORITIES FOR THE LOCATION AND PROTECTION OF THESE SERVICES.
4. ALL UNDESIRABLE MATERIALS IN EXISTING CONCRETE PAVES AND FOUNDATIONS AND DAMPING BUILDING RUBBLE SHALL BE DISPOSED OFF SUITABLE DUMPING SITE.
5. LATER USE UNLESS OTHERWISE SPECIFIED.
6. THE CONTRACTOR TO USE ONLY APPROVED FILL MATERIAL AS SPECIFIED BY AND APPROVED BY THE ENGINEER.
7. ALL EXPOSED REDUCED EXCAVATION EGGS AND AREAS TO RECEIVE MOD A.S.H.T.O TO A DEPTH OF 150mm UNLESS SPECIFIED OTHERWISE SHALL BE CLEANED, RIPPED, WETTED, AND COMPACTED TO 90% LABOURATORY TEST RESULTS FOR RELATIVE COMPACTION/ DENSITIES. CSR INDICATOR TESTS OR ANY OTHER TEST RESULTS AS REQUIRED BY THE ENGINEER.
8. THE CONTRACTOR SHALL TIGHTENLY SQUANT FIELD AND LABORATORY TEST RESULTS FOR RELATIVE COMPACTION/ DENSITIES.
9. DRAINAGE CONTROL.

| REV. | DATE | BY | DESCRIPTION |
|------|------|----|-------------|
| | | | |
| | | | |
| | | | |
| | | | |

| | |
|---------------------|----------|
| DESIGNED BY: | R. ZIGAH |
| DESIGN CHECKED: | L. ROBA |
| DRAWN BY: | R. ZIGAH |
| DRAWING CHECKED BY: | L. ROBA |
| TECH APPROVAL BY: | TFV NDOU |

T2-Tech
ENGINEERS (PTY) LTD

12-TECH ENGINEERS (PTY) LTD
12, MARCH STREET
FAIRA PARK 027
R.O. BOX 1232
PORT KAITUMA
020
TEL: 011 202
FAX: 011 202
EMAIL: info@t2tech.co.za
www.t2tech.co.za

TENDER DRAWING

PROJECT TITLE: PINKIE SEBOTSE SPORTS FACILITY

CLIENT LOGO:

CLIENT ADDRESS: BROENBERG MUNICIPALITY, P.O. Box 1993, BROENBERG, 0280

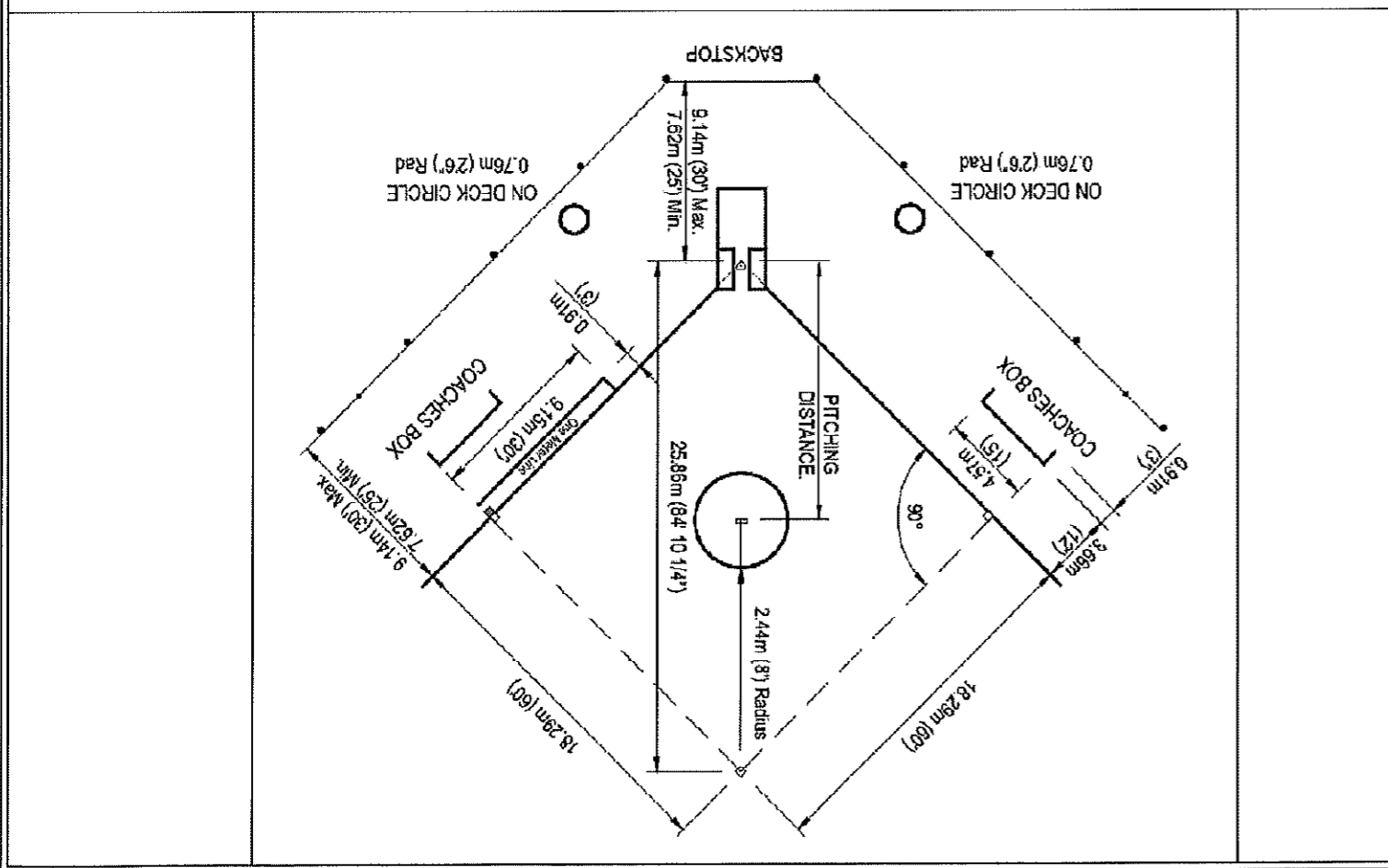
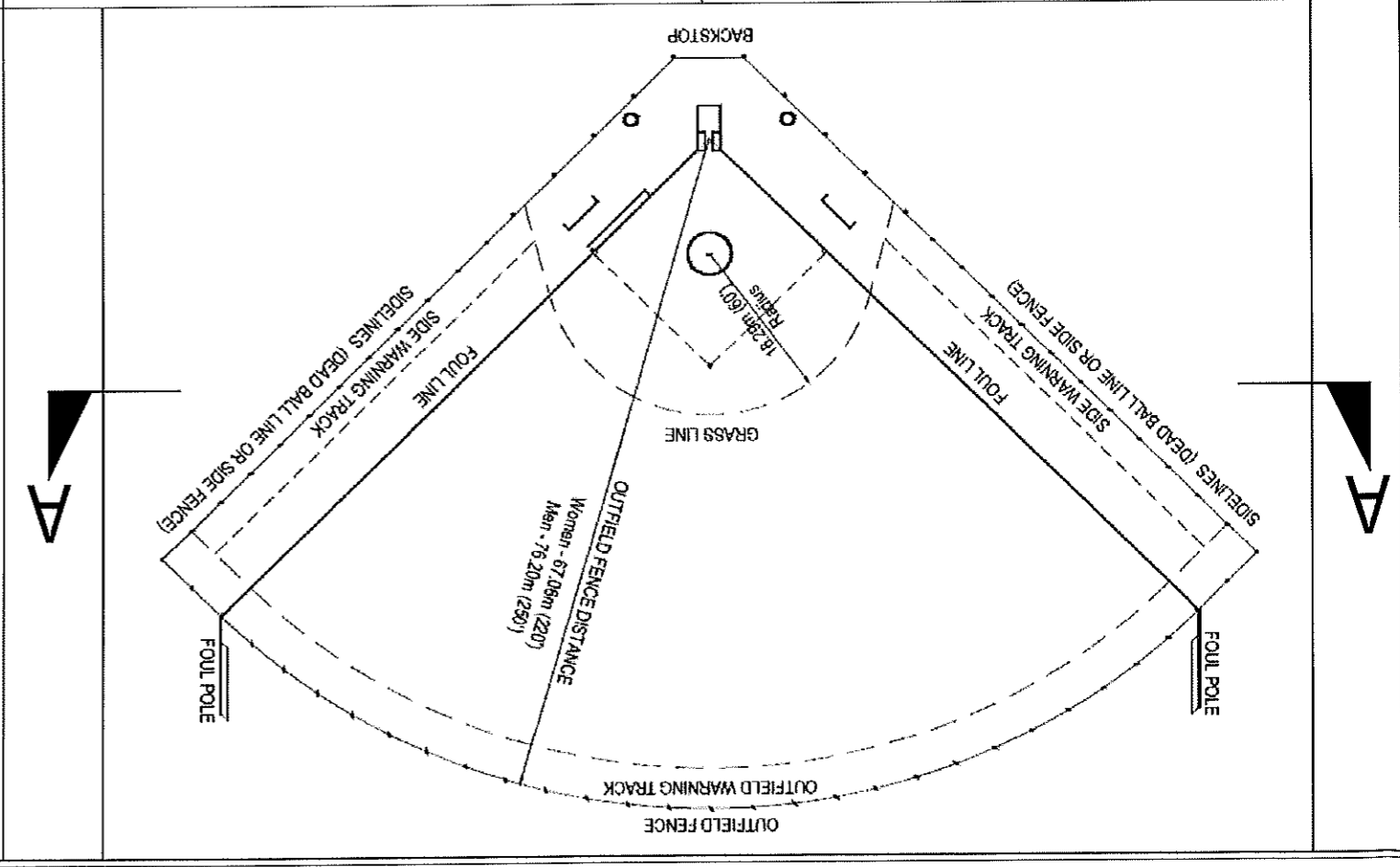
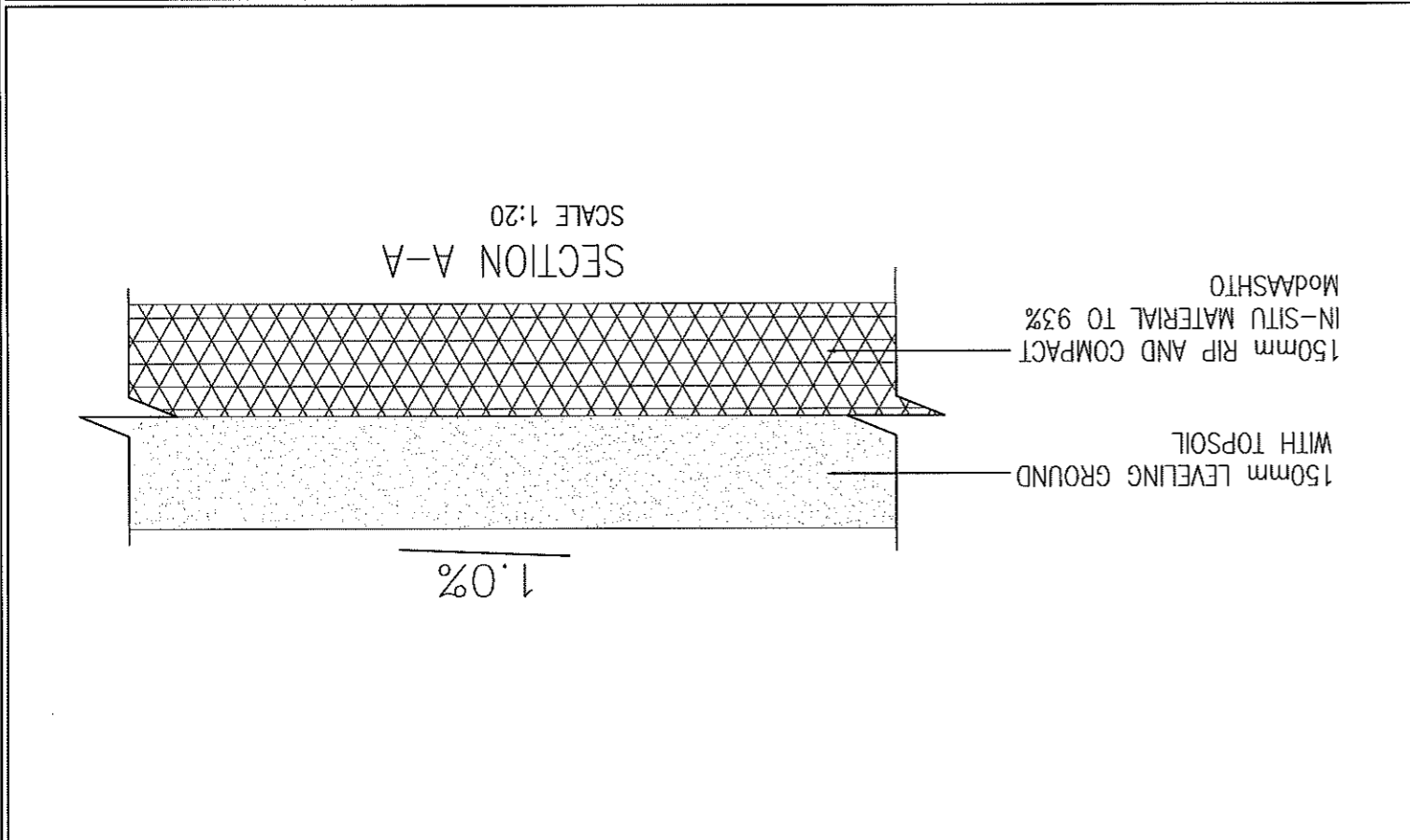
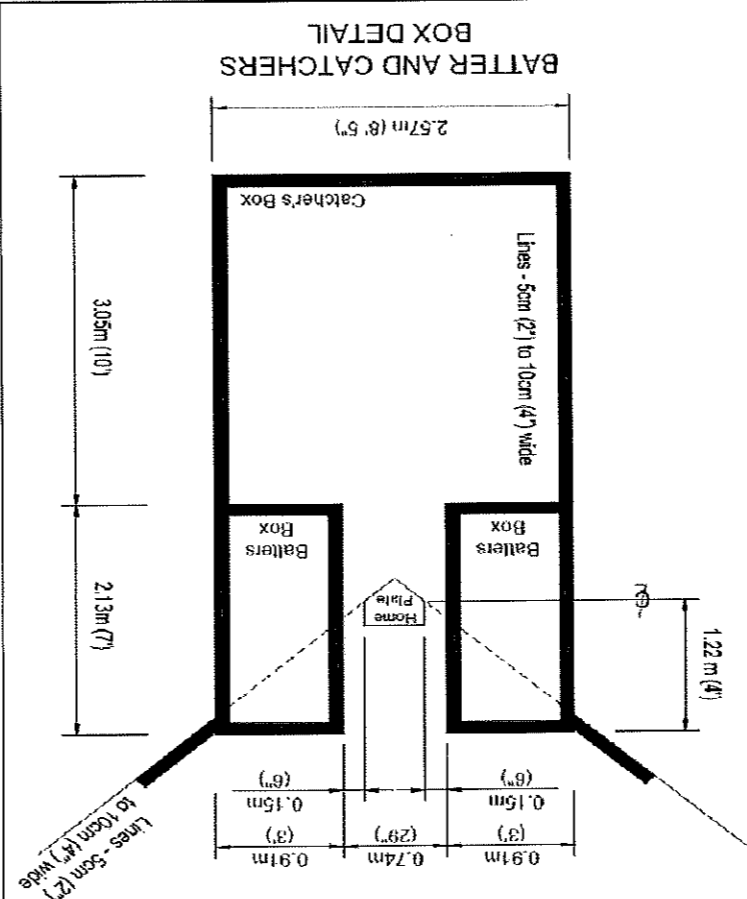
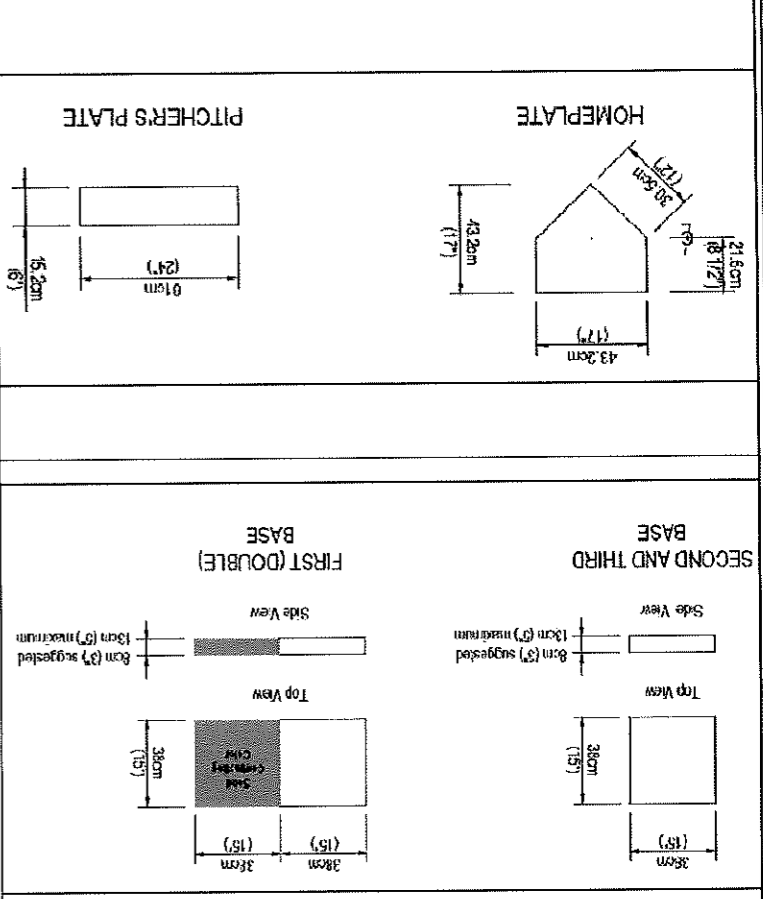
CONSULTANT ADDRESS: 12-TECH ENGINEERS (PTY) LTD, 12, MARCH STREET, FAIRA PARK 027, R.O. BOX 1232, PORT KAITUMA, 020

DATE FOR: SOFTBALL LAYOUT PLAN & CROSS SECTION

| | |
|----------------------|-----------|
| CHECKED BY: | L. ROBA |
| DATE: | |
| SIGNATURE: | |
| DATE: | |
| SIGNATURE: | |
| CONSULTANT APPROVAL: | |
| NAME: | TFV NDOU |
| ECSA: REG. NO.: | 200670155 |
| ECSA: REG. NO.: | 201930058 |

| | |
|--------------------------|----------------|
| INTERNAL PROJECT NUMBER: | BM 01/2/122 |
| EXTERNAL PROJECT NUMBER: | 00 |
| SCALE: | AS SHOWN |
| PAPER SCALE: | A1 |
| DRAWING NUMBER: | T2102PPD00SB09 |
| SHEET NUMBER: | 1 of 1 |

THE ABOVE SIGNATORY AND CHECKER HAVE SEEN AND APPROVED THE DRAWING



| REV. NO. | DATE | DESCRIPTION |
|----------|------|-------------|
| | | |
| | | |
| | | |
| | | |
| | | |

| | |
|-----------------------|----------|
| DESIGNED BY: | R. ZIGAH |
| CHECKED BY: | L. RYOBA |
| DRAWN BY: | R. ZIGAH |
| DRAWING CHECKED BY: | L. RYOBA |
| DIRECTOR APPROVAL BY: | TFV NDOU |

T2-Tech
ENGINEERS (PTY) LTD

12-TECH ENGINEERS (PTY) LTD
124, CLIVE STREET
RABA PARK, GLEN
PO BOX 218
1614, CLIVE STREET
P.O. BOX 218
1614, CLIVE STREET
GLEN
TEL: 0151 221 1120
FAX: 0151 221 2116
EMAIL: info@t2tech.co.za
WWW.T2TECH.CO.ZA

TENDER DRAWING

PROJECT TITLE: **PINKIE SEBOTSE SPORTS FACILITY**

DRAWING TITLE: **NETBALL COURT & DETAILS**

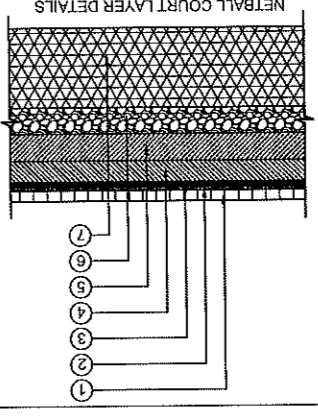


CLIENT ADDRESS: **BLOEMBERGEN MUNICIPALITY**
P.O. BOX 558
BLOEMBERGEN,
7820
TEL: 0151 051 7100
FAX: 0151 051 5224

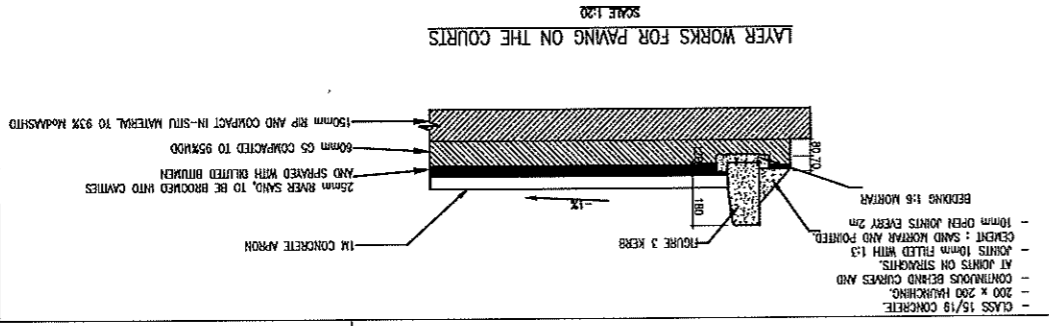
| | |
|---------------------------|--------------------------|
| DATE: | DATE: |
| SIGNATURE: | SIGNATURE: |
| ECSA: REG. NO. 2019300358 | ECSA: REG. NO. 200670155 |
| NAME: L. RYOBA | NAME: TFV NDOU |
| CHECKED BY: | CONSULTANT APPROVAL: |

THE ABOVE SIGNATORY
AND CHECKER HAVE SEEN
DRAWING
AND APPROVED THE
DRAWING

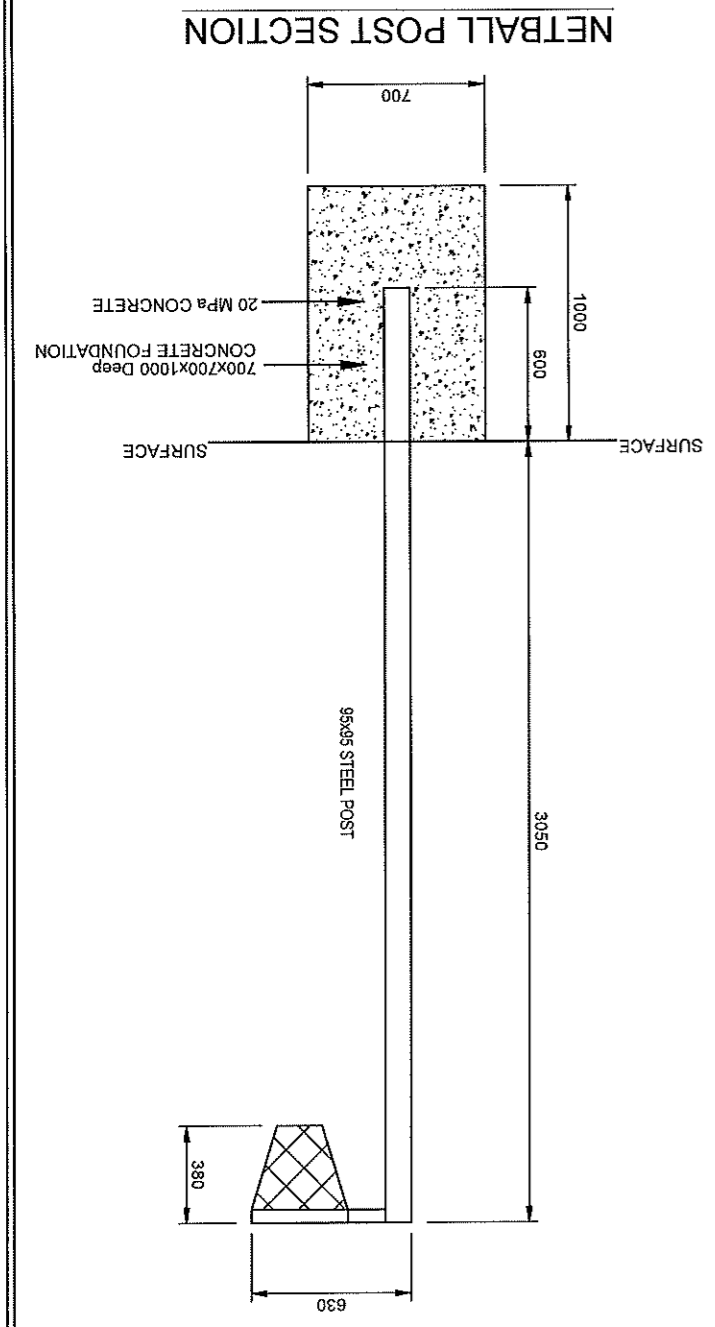
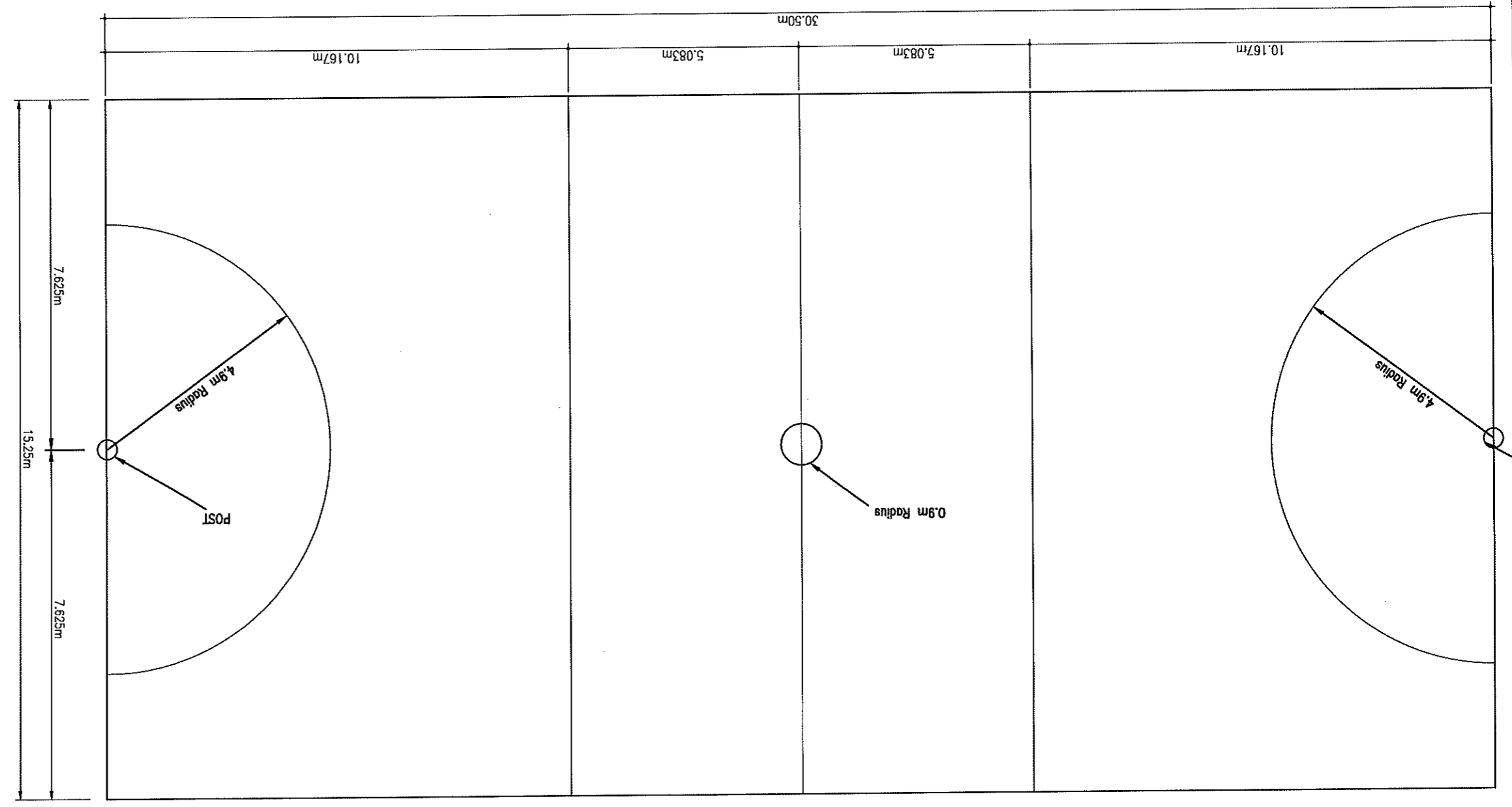
| | |
|------------------|---------------|
| REVISION NUMBER: | BM 01/21/22 |
| SCALE: | AS SHOWN |
| SHEET NUMBER: | 1 OF 4 |
| DRAWING NUMBER: | T2102PD01NC01 |



- LAYER SPECIFICATIONS**
- ① 3 LAYERS ALL WEATHER SURFACING - MASTIC LAYER, LAST LAYER CONTAINS COLOURING
 - ② 1 LAYER SLURRY SEAL
 - ③ 25mm LAYER RIVER SAND, TO BE BROOMED INTO CAVITIES AND SPRAYED WITH DILUTED BITUMEN
 - ④ 50mm LAYER 6.7mm ROAD STONE, LEVELED AND ROLLED INTO POSITION, AND SPRAYED WITH BITUMEN 0.97L/m²
 - ⑤ 50mm LAYER 13.2mm ROAD STONE, LEVELED AND ROLLED INTO POSITION, AND SPRAYED WITH BITUMEN 0.97L/m²
 - ⑥ 80mm LAYER G1 CRUSHER RUN, LEVELED AND COMPACTED, AND SPRAYED WITH SS80
 - ⑦ 150mm LAYER RIP AND COMPACT INSIDE MATERIAL TO 93% MODAASHTO



NETBALL COURT FLOOR PLAN
SCALE 1:100



| REV. NO. | DATE | DESCRIPTION |
|----------|------|-------------|
| | | |
| | | |
| | | |

| | |
|-----------------------|-----------|
| DESIGNED BY: | R. ZIAHAH |
| CHECKED BY: | L. RYOBA |
| DRAWN BY: | R. ZIAHAH |
| APPROVED BY: | L. RYOBA |
| DIRECTOR APPROVAL BY: | TFV NDOU |

T2-Tech
ENGINEERS (PTY) LTD

12-TECH ENGINEERS (PTY) LTD
12th Floor, Pinkie Sebotose Sports Facility
P.O. Box 293, Ficksburg, Cape Town, South Africa

CONSULTING ADDRESS:
12-TECH ENGINEERS (PTY) LTD
12th Floor, Pinkie Sebotose Sports Facility
P.O. Box 293, Ficksburg, Cape Town, South Africa

TENDER DRAWING

PROJECT TITLE: PINKIE SEBOTOSE SPORTS FACILITY

DRAWING TITLE: TENNIS COURT DETAILS



CLIENT ADDRESS:
BLOUBAERG MUNICIPALITY
P.O. Box 1993, Bloubaerg, Cape Town

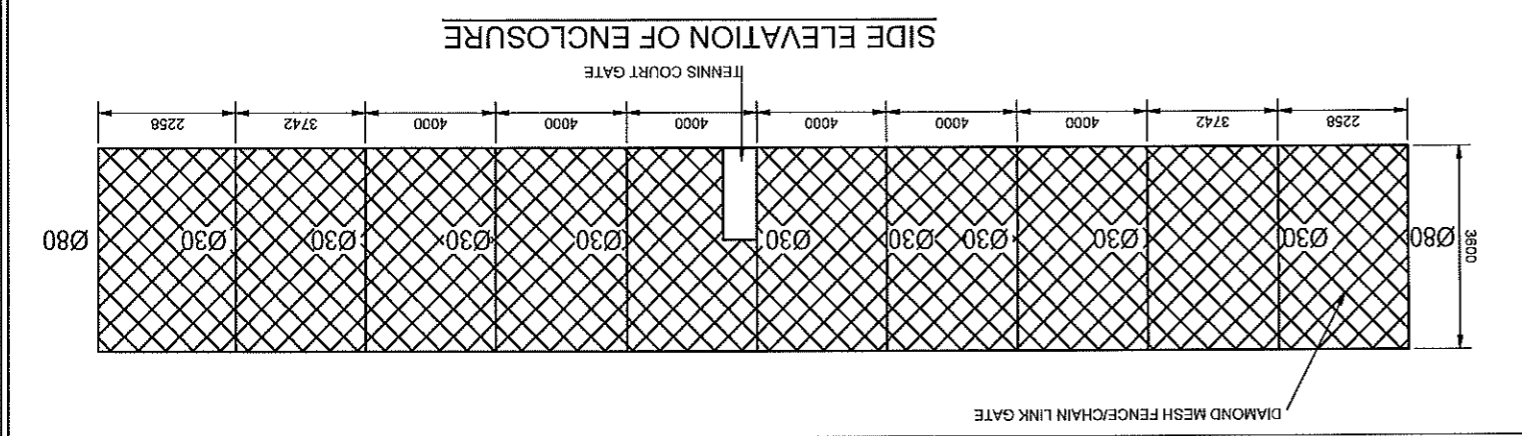
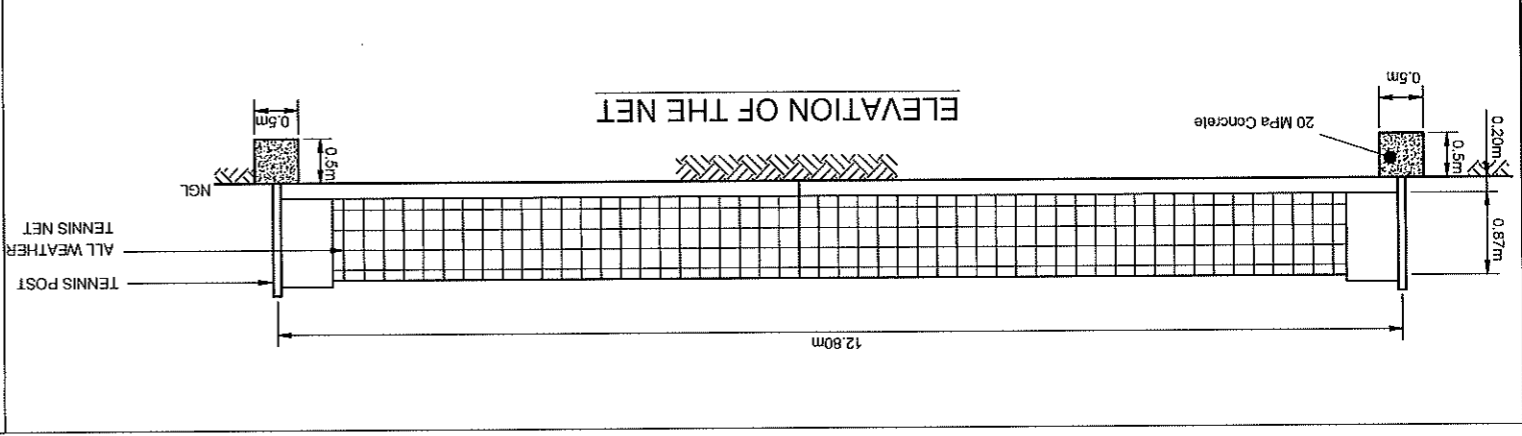
| | |
|----------------------|----------|
| CHECKED BY: | L. RYOBA |
| NAME: | L. RYOBA |
| NAME: | TFV NDOU |
| CONSULTANT APPROVAL: | |
| DATE: | |
| SIGNATURE: | |

DATE:

SIGNATURE:

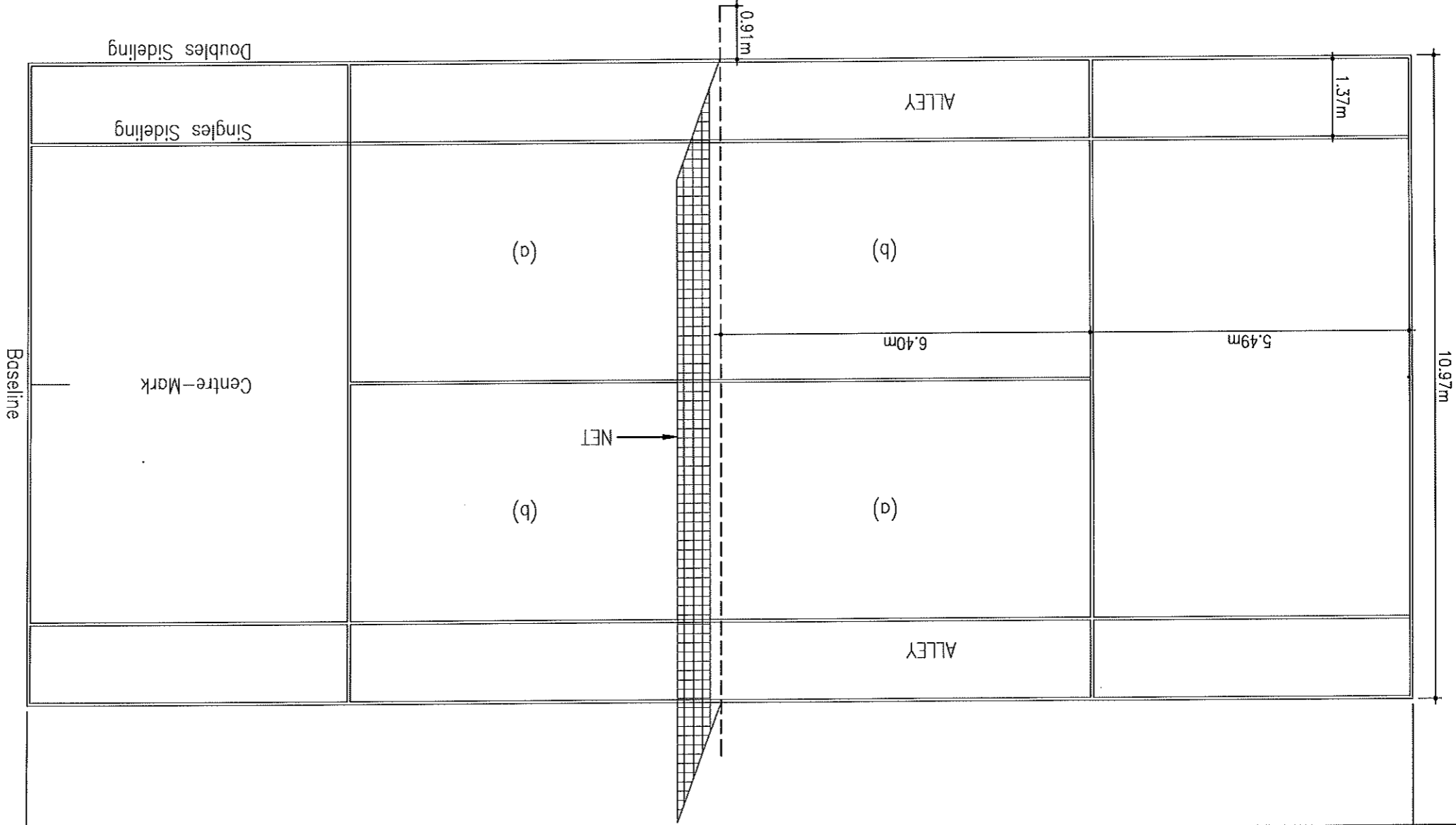
THE ABOVE SIGNATORY AND CHECKER HAVE SEEN AND APPROVED THE DRAWING

| | |
|-----------------|---------------|
| PROJECT NUMBER: | BM 01/21/22 |
| SCALE: | A1 |
| SHEET NUMBER: | 2 of 4 |
| DRAWING NUMBER: | T2102PD01TC01 |



TENNIS COURT FLOOR PLAN

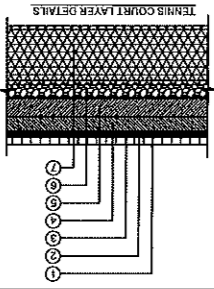
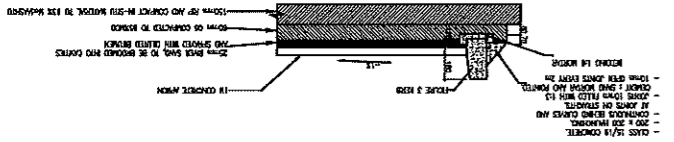
SCALE 1:100



NOTES

1. NET SHOULD BE OF NYLON MATERIAL (APPROVED SABS)
2. SURFACE TO BE COLOURED GREEN AND BISCUIT.
3. ALL LINES TO BE MARKED AS PER NORMS (TECHNICAL SPECIFICATION-VOL. 4)
4. ALL LINES TO BE PAINTED WHITE AND TO BE 50mm THICK.
5. POSTS TO BE TREATED AND PAINTED WITH 2 COAT OF HIGH GLOSS STEEL ENAMEL PVA PAINT, GREEN ENAMEL.
6. DIMENSIONS ARE TO CENTRE OF WHITE LINES.
7. BASE LINE SHOULD BE UP TO 100mm WIDE, SERVICE LINES UP TO 75mm WIDE LENGTH LINES UP TO 50mm WIDE.

LAYER WORKS FOR PAVING ON THE COURTS



- ### LAYER SPECIFICATIONS
1. 3 LAYERS ALL WEATHER SURFACING - MASTIC LAYER, LAST LAYER CONTAINS COLOURING
 2. 1 LAYER SLURRY SEAL
 3. 25mm LAYER RIVER SAND, TO BE BROCKEN INTO CUMMERS AND SPRAYED WITH DILUTED BITUMEN
 4. 100mm LAYER 6. 7mm ROAD STONE, LEVELLED AND ROLLED INTO POSITION, AND SPRAYED WITH BITUMEN 0.97m²
 5. 100mm LAYER 13.2mm ROAD STONE, LEVELLED AND ROLLED INTO POSITION, AND SPRAYED WITH BITUMEN 0.97m²
 6. 100mm LAYER G1 CRUSHER RUN, LEVELLED AND COMPACTED, AND SPRAYED WITH S80
 7. BITUMEN 0.97m²
 8. 100mm LAYER RUF AND COMPACT INSIDE MATERIAL TO 93% MAXIMUM TO

| REV. | DATE | SIGNATURE | DESCRIPTION |
|------|------|-----------|-------------|
| | | | |
| | | | |
| | | | |
| | | | |

| | |
|---------------------|----------|
| DESIGNED BY: | R. ZIGAH |
| CHECKED BY: | L. RYOBA |
| DRAWING CHECKED BY: | R. ZIGAH |
| DATE: | |
| PROJECT NO.: | |
| CLIENT NAME: | |

T2-Tech
ENGINEERS (PTY) LTD

12-TECH ENGINEERS (PTY) LTD
CONSULTING ADDRESS:
174, CHURCH STREET
FOURTH FLOOR
JHB 2001
TEL: (011) 291 2300
FAX: (011) 291 2310
WWW.T2TECH.CO.ZA

TENDER DRAWING

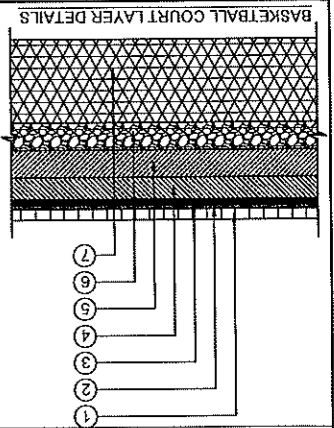
PINKIE SEBOTSE SPORTS FACILITY

BASKETBALL COURT & DETAILS

BLONBERG MUNICIPALITY
P O Box 1593
Germiston, 2010
TEL: (011) 951 1700
FAX: (011) 951 0224

| | |
|----------------|------------|
| DATE: | |
| SIGNATURE: | |
| DATE: | |
| SIGNATURE: | |
| NAME: | L. RYOBA |
| NAME: | TFV NDOU |
| ECSA REG. NO.: | 2019200356 |
| ECSA REG. NO.: | 200870155 |

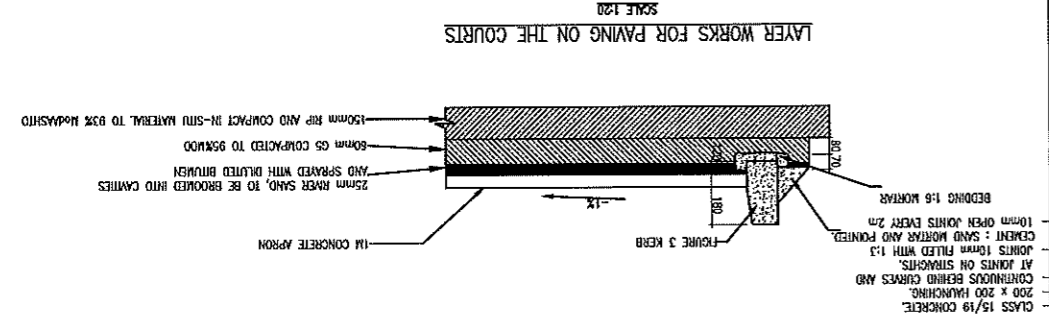
| | |
|------------------|--|
| REVISION NUMBER: | |
| DATE: | |
| SIGNATURE: | |
| DESCRIPTION: | |
| ISSUED FOR: | |
| PROJECT TITLE: | |
| CLIENT NAME: | |
| CLIENT LOGO: | |
| ISSUED FOR: | |
| PROJECT TITLE: | |
| CLIENT NAME: | |
| CLIENT LOGO: | |
| ISSUED FOR: | |
| PROJECT TITLE: | |
| CLIENT NAME: | |
| CLIENT LOGO: | |



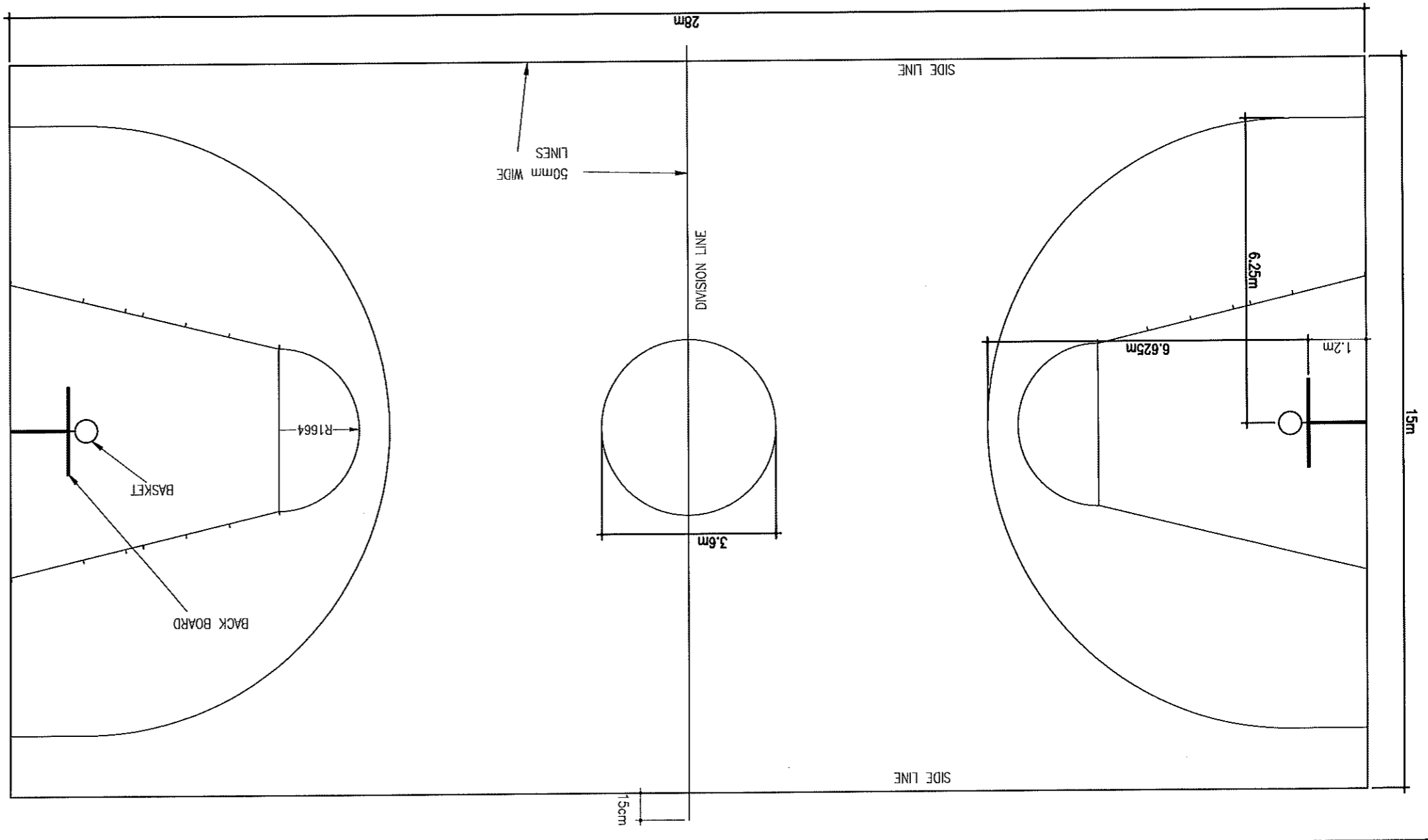
- LAYER SPECIFICATIONS**
- 3 LAYERS ALL WEATHER SURFACING - MASTIC LAYER, LAST LAYER CONTAINS COLOURING
 - 1 LAYER SLURRY SEAL
 - 25mm LAYER RIVER SAND, TO BE BROOMED INTO CAVITIES AND SPRAYED WITH DILUTED BITUMEN
 - 50mm LAYER 6.7mm ROAD STONE, LEVELLED AND ROLLED INTO POSITION, AND SPRAYED WITH BITUMEN 0.97Lm²
 - 60mm LAYER 13.2mm ROAD STONE, LEVELLED AND ROLLED INTO POSITION, AND SPRAYED WITH BITUMEN 0.97Lm²
 - 60mm LAYER G1 CRUSHER RUN, LEVELLED AND COMPACTED, AND SPRAYED WITH SS60
 - 150mm LAYER RIP AND COMPACT INSIDE MATERIAL TO 93% MODASHTO

- NOTES**
- Foundations to the pole to be 600x700x1000 Deep, 20/19 Mpa concrete.
 - Surface to be coloured green and biscuit.
 - All lines to be white.
 - All lines to be painted white and to be 50mm thick.
 - Posts to be treated and painted with 2 coat of high gloss steel enamel PVA Paint, golden brown in colour
 - Dimensions are to the center of white lines

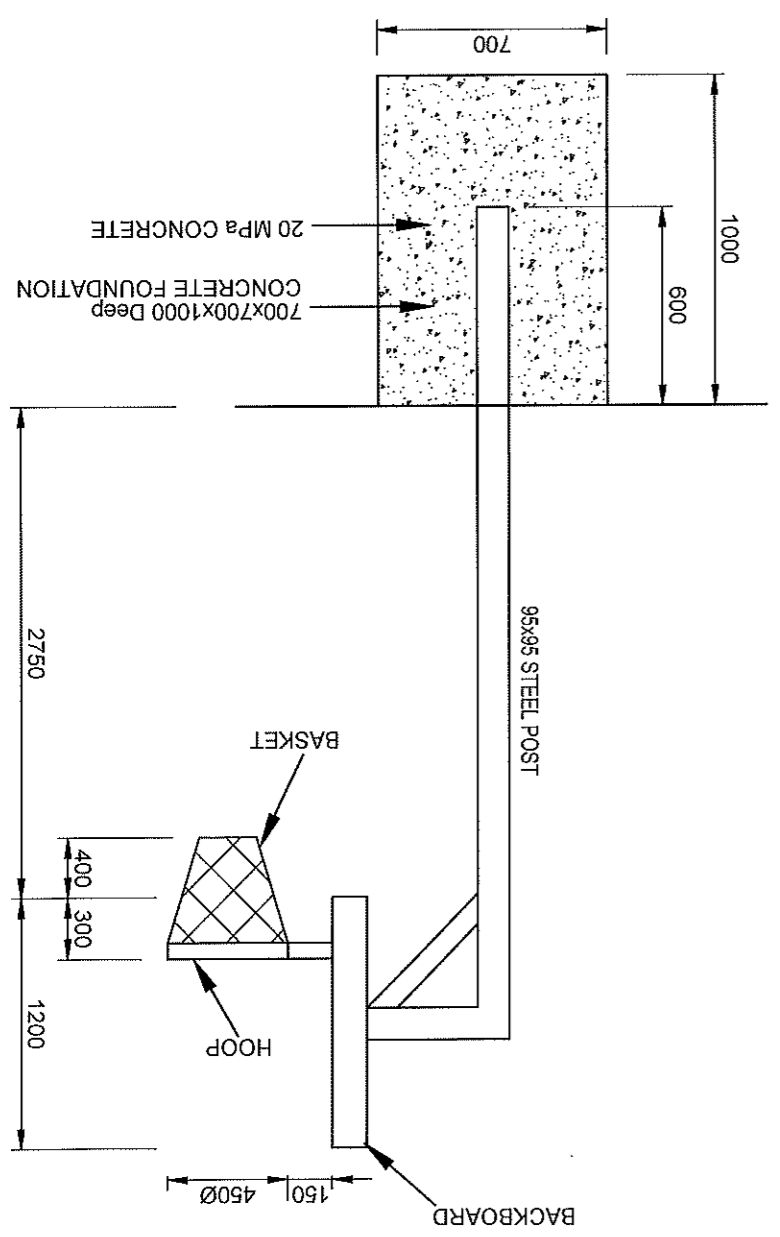
LAYER WORKS FOR PAVING ON THE COURTS
SCALE 1:20



BASKETBALL COURT FLOOR PLAN
SCALE 1:100



SECTION OF BASKETBALL POST



| REV. | DATE | REVISION | DESCRIPTION |
|------|------|----------|-------------|
| | | | |
| | | | |
| | | | |
| | | | |
| | | | |

| | |
|-----------------------|------------|
| DESIGNED BY: | R. ZIGAH |
| DESIGN CHECKED: | L. RYOBA |
| DRAWN BY: | R. ZIGAH |
| DRAWING CHECKED BY: | L. RYOBA |
| DIRECTOR APPROVAL BY: | T. Y. NDOU |

T2-Tech
ENGINEERS (PTY) LTD

12-TECH ENGINEERS (PTY) LTD
12A, CHURCH STREET
FAVORVALE 0087
P.O. Box 233
FOCKWATER
DORSET
TEL: 011 251 3300
FAX: 011 251 3116
E-MAIL: info@t2tech.co.za
Website: www.t2tech.co.za

CONSULTING ADDRESS:
CONSULTING LOGO:
CONSULTING PHONE:
CONSULTING FAX:
CONSULTING E-MAIL:

TENDER DRAWING

PROJECT TITLE: **PINKIE SEBOTSE SPORTS FACILITY**

DRAWING TITLE: **VOLLEYBALL COURT DETAILS**



CLIENT ADDRESS:
CLIENT LOGO:
CLIENT PHONE:
CLIENT FAX:
CLIENT E-MAIL:

CHECKED BY: _____
DATE: _____
SIGNATURE: _____

CONSULTANT APPROVAL:
NAME: T. Y. NDOU
ECSA: REG. NO. 200670155
DATE: _____
SIGNATURE: _____

THE ABOVE SIGNATORY
AND CHECKER HAVE SEEN
AND APPROVED THE
DRAWING

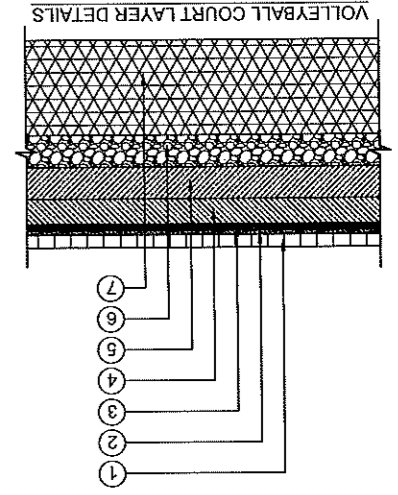
REVISION NUMBER: _____
REVISION NUMBER: _____
REVISION NUMBER: _____

DATE: **BM 01/21/22**

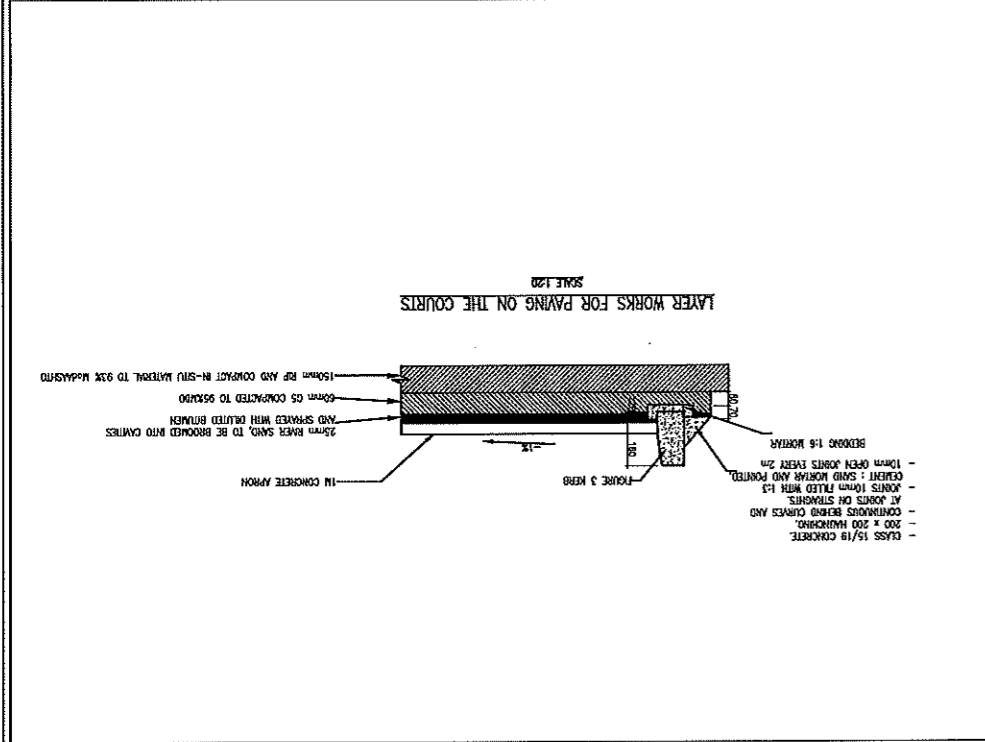
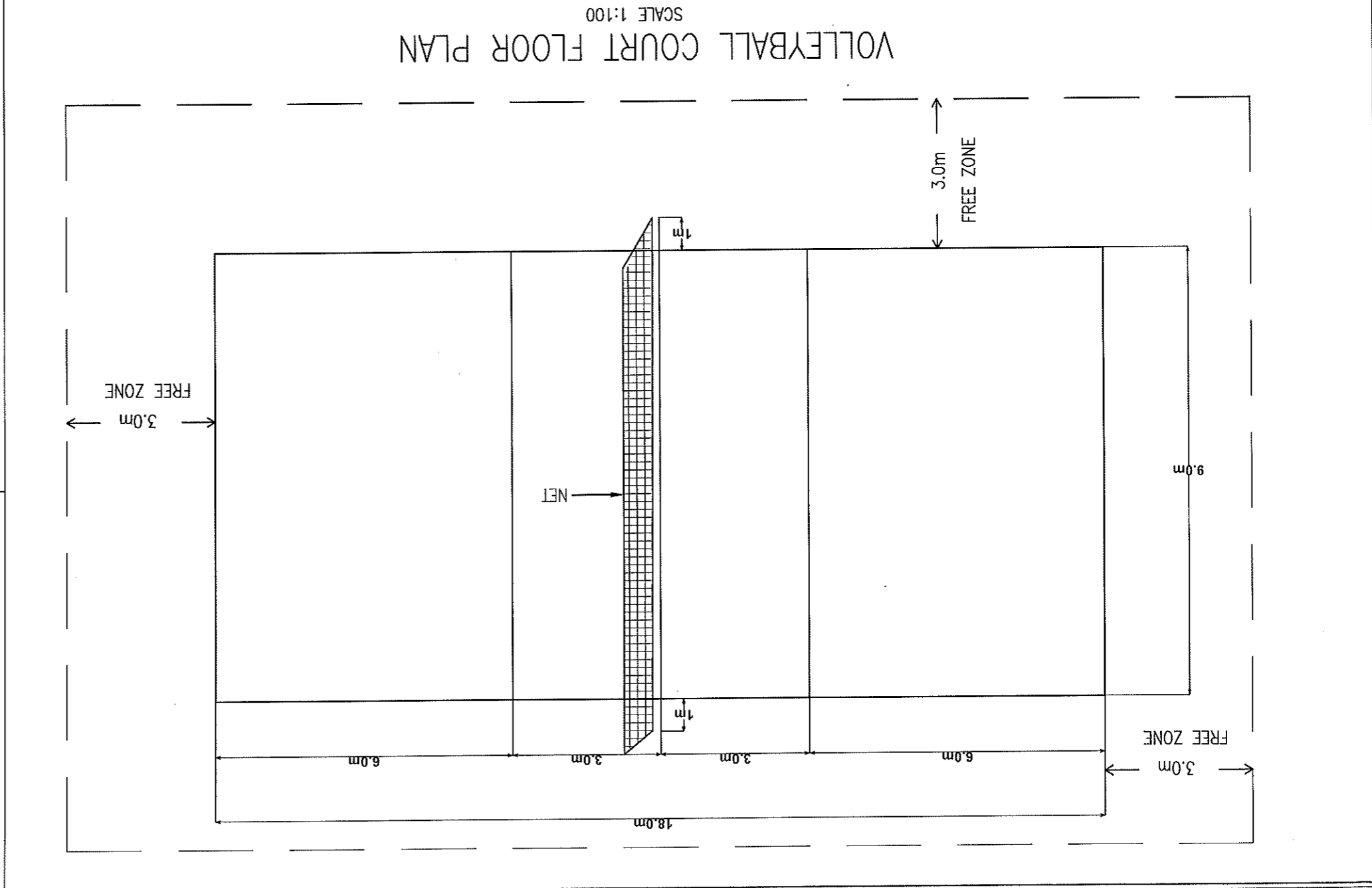
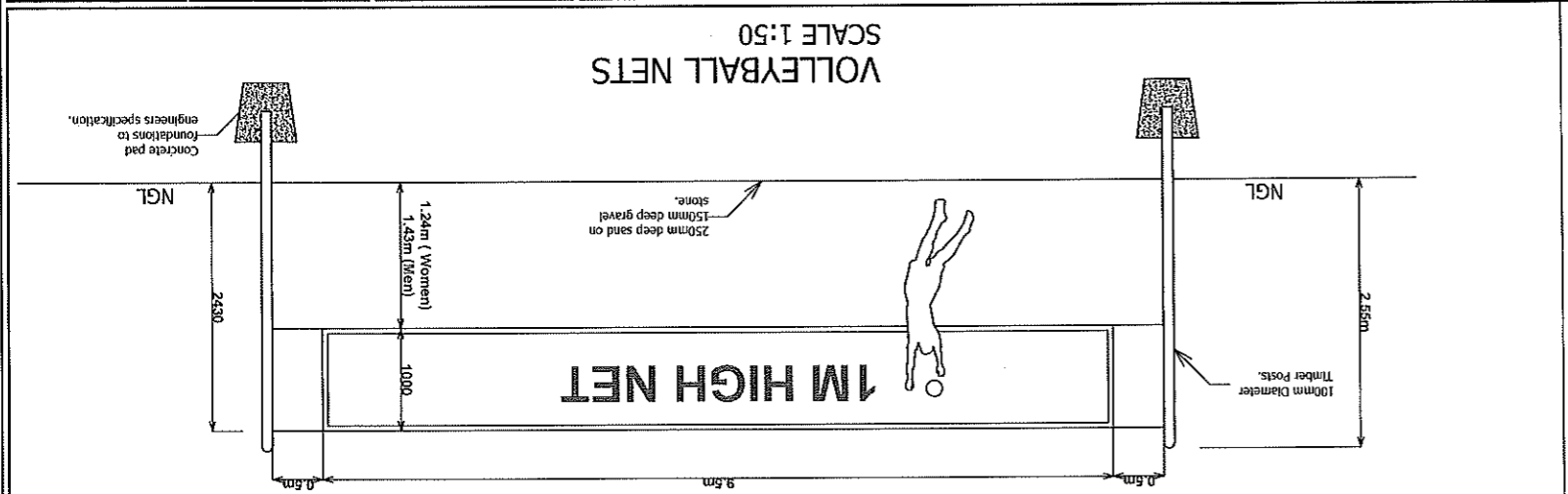
SCALE: **A1**

SHEET NUMBER: **4 of 4**

DRAWING NUMBER: **T2102PPD01VC01**



- LAYER SPECIFICATIONS**
- ① 3 LAYERS ALL WEATHER SURFACING - MASTIC LAYER, LAST LAYER CONTAINS COLOURING
 - ② 1 LAYER SLURRY SEAL
 - ③ 25mm LAYER RIVER SAND, TO BE BROOMED INTO CAVITIES AND SPRAYED WITH DILUTED BITUMEN
 - ④ 50mm LAYER 6.7mm ROAD STONE, LEVELED AND ROLLED INTO POSITION, AND SPRAYED WITH BITUMEN 0.97L/m²
 - ⑤ 50mm LAYER 13.2mm ROAD STONE, LEVELED AND ROLLED INTO POSITION, AND SPRAYED WITH BITUMEN 0.97L/m²
 - ⑥ 60mm LAYER G1 CRUSHER RUN, LEVELED AND COMPACTED, AND SPRAYED WITH SS60
 - ⑦ 150mm LAYER RIP AND COMPACT INSIDE MATERIAL TO 93% MODAASHTO



- NOTES**
1. SURFACE TO BE GREEN IN COLOR WITH A CROSS FALL OF -1%
 2. ALL LINES TO BE MARKED AS PER NORMS (TECHNICAL SPECIFICATION - VOLUME 2)
 3. POSTS TO BE TREATED AND PAINTED WITH 2 COATS OF HIGH GLOSS STEEL ENAMEL PVA PAINT, GOLDEN BROWN IN COLOUR.
 4. THE NET MUST BE STRETCHED ACROSS THE COURT AT A HEIGHT OF 2.24M FOR WOMEN & 2.43 FOR MEN
 5. THE NET IS 9.5M LONG AND 1M DEEP
 6. POSTS TO BE TREATED AND PAINTED WITH 2 COATS OF HIGH GLOSS STEEL
 7. POSTS TO BE 2.55M HIGH AND BE FIXED AT A DISTANCE OF 0.5 TO 1M BEYOND THE SIDE LINES

| REV. | DATE | SIGNATURE | DESCRIPTION |
|------|------|-----------|-------------|
| | | | |
| | | | |
| | | | |

| | |
|-----------------------|-----------|
| DESIGNED BY: | R. ZIGAH |
| DESIGN CHECKED: | L. RYOBA |
| DRAWN BY: | R. ZIGAH |
| DRAWING CHECKED BY: | L. RYOBA |
| DIRECTOR APPROVAL BY: | T.FV NDOU |

T2-Tech
ENGINEERS (PTY) LTD

REG. NO. 291 3120
P.O. BOX 2328
FOYATHE
FARMER PARK 0982
M.A. CHURCH STREET
12-TECH ENGINEERS (PTY) LTD
12-12/12/2012

CONSULTING ADDRESS:
CONSULTING LOGO:

CONSULTING ADDRESS:
CONSULTING LOGO:

TENDER DRAWING

PROJECT TITLE:
PINKIE SEBOTSE SPORTS FACILITY

DRAWING TITLE:
OUTDOOR GYM AREA LAYOUT PLAN

CLIENT LOGO:

CLIENT ADDRESS:
BLONBERG MUNICIPALITY
P.O. Box 1593
SHEWENI, 0100
TEL: 0151 605 7100
FAX: 0151 605 0100

CHECKED BY:
NAME: L. RYOBA

DATE:

SIGNATURE:

DATE:

SIGNATURE:

CONSULTANT APPROVAL:

NAME: T.FV NDOU

ECSA: REG. NO. 200670155

ECSA: REG. NO. 2018300358

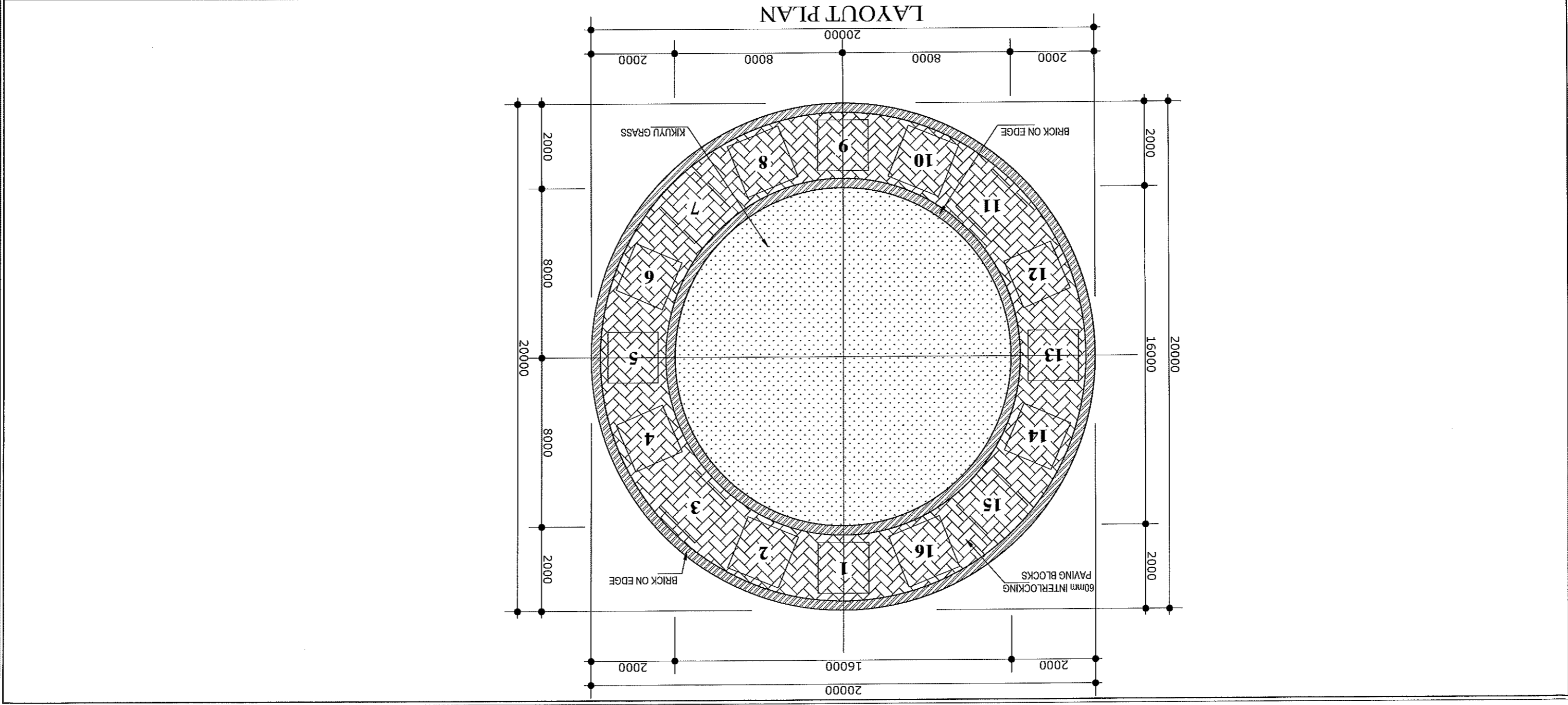
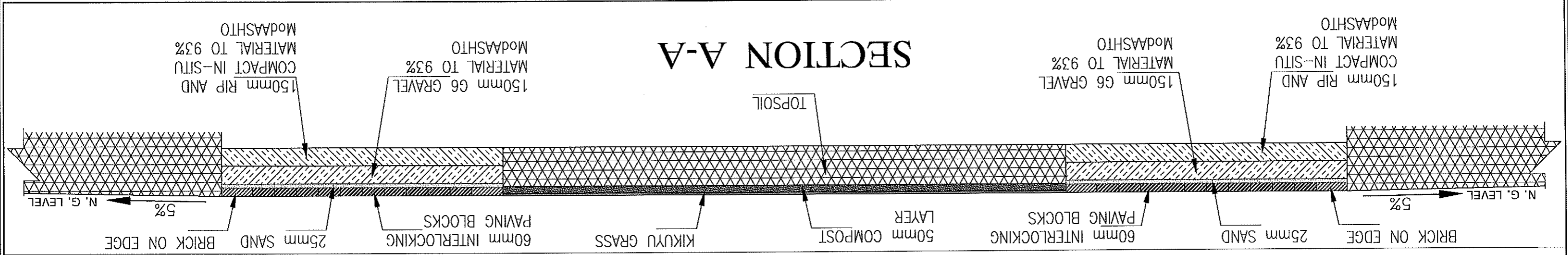
THE ABOVE SIGNATORY
AND CHECKER HAVE SEEN
DRAWING
AND APPROVED THE
DRAWING

PROJECT NUMBER:
T2102PPD000G12

DATE:
BM 01/2/12

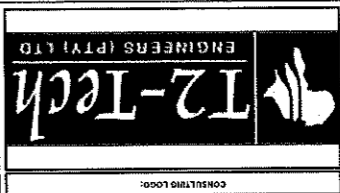
SCALE:
AS SHOWN

SHEET NUMBER:
1 OF 1



| REV. | DATE | REVISION | DESCRIPTION |
|------|------|----------|-------------|
| | | | |
| | | | |
| | | | |

| | |
|---------------------|----------|
| DESIGNED BY: | R. ZIYAH |
| DESIGN CHECKED: | L. RYOBA |
| DRAWN BY: | R. ZIYAH |
| DRAWING CHECKED BY: | L. RYOBA |
| CLIENT APPROVAL BY: | TFV NDOU |



12 TECH ENGINEERS (PTY) LTD
 14A CHURCH STREET
 FLO. 400, 200
 FORT WARE
 F.O. BOX 200
 NAIROBI, KENYA
 TEL: (01) 261 3130
 FAX: (01) 261 3131
 E-MAIL: info@12tech.co.ke
 WWW: www.12tech.co.ke

ISSUED FOR: _____
 PROJECT TITLE: **TENDER DRAWING**
 DRAWING TITLE: **PINKIE SEBOTSE SPORTS FACILITY**
 LAYOUT PLAN & LEGEND



CLIENT ADDRESS: _____
 CLIENT NAME: _____
 CLIENT PHONE: _____
 CLIENT FAX: _____

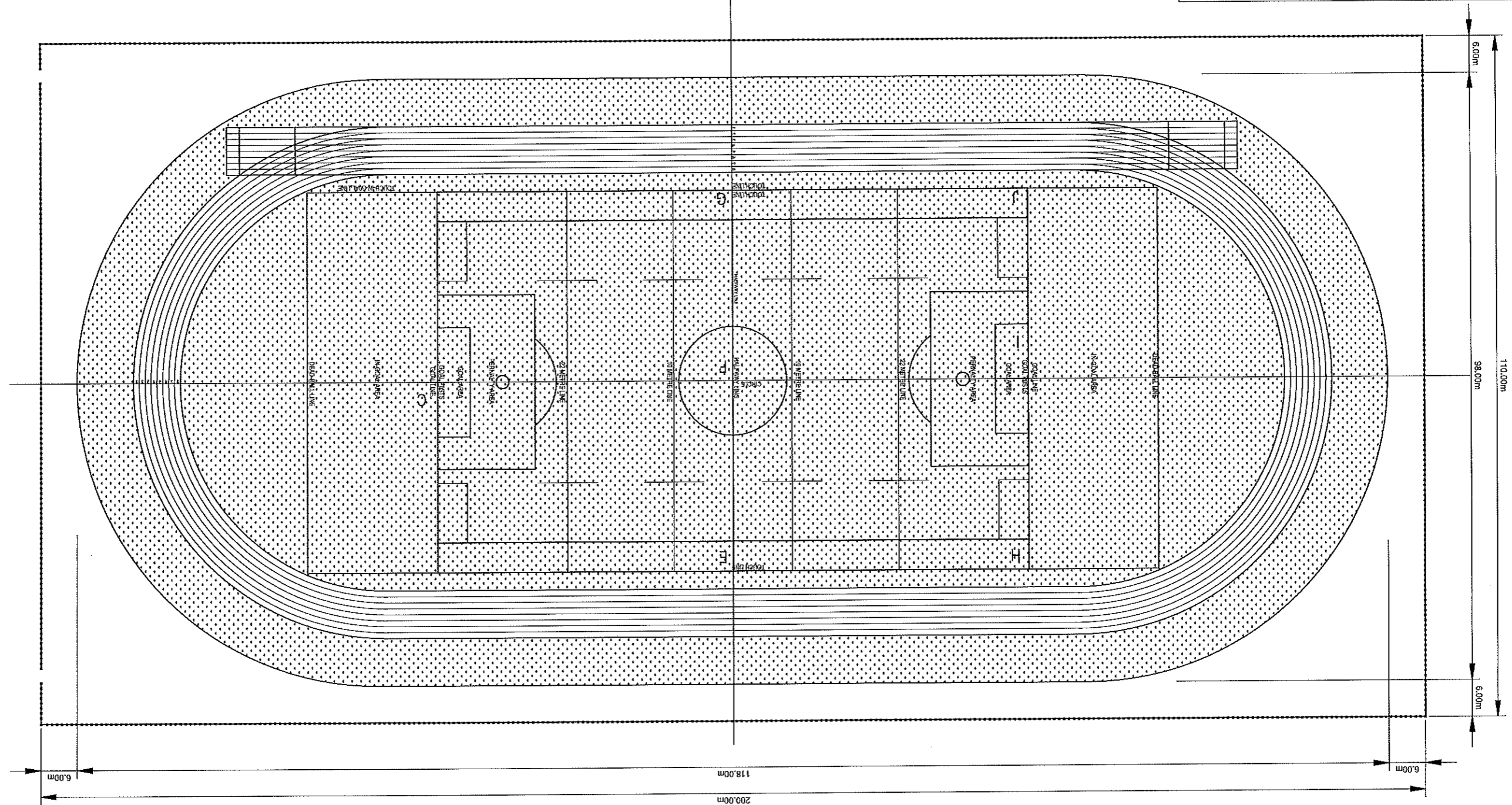
CHECKED BY: _____
 NAME: L. RYOBA
 DATE: _____
 ECSEA REG. NO. 2019300350

CHECKED BY: _____
 NAME: TFV NDOU
 DATE: _____
 ECSEA REG. NO. 200670165

THE ABOVE SIGNATORY
 AND CHECKER HAVE SEEN
 AND APPROVED THE
 DRAWING

INTERNAL PROJECT NUMBER: _____
 DRAWING NUMBER: **T2102PD00LP13**
 SHEET NUMBER: **1 of 1**
 SCALE: A1
 AS SHOWN
 DATE: BM 01/21/22
 REVISION NUMBER: **00**

| No. | TYPE | NAME |
|-----|-----------|------------------------------------|
| 1. | ***** | Diamond Mesh Fence/Chain Link Gate |
| 2. | ===== | Clear View Fence |
| 3. | ===== | Athletics Track Lines |
| 4. | [Pattern] | Kikuyu Grass / Artificial Grass |



| REV. | DATE | REVISION | DESCRIPTION |
|------|------|----------|-------------|
| | | | |
| | | | |
| | | | |
| | | | |
| | | | |
| | | | |
| | | | |
| | | | |
| | | | |

| | |
|-----------------------|----------|
| DESIGNED BY: | R. ZIGAH |
| DESIGN CHECKED BY: | L. RYOBA |
| DRAWN BY: | R. ZIGAH |
| DRAWING CHECKED BY: | L. RYOBA |
| DIRECTOR APPROVAL BY: | TFV NDOU |

T2-Tech
ENGINEERS (PTY) LTD

124, CHURCH STREET
JHB 2009
TEL: (011) 231 3300
FAX: (011) 231 3118
EMAIL: info@t2tech.co.za
WWW.T2TECH.CO.ZA

CONSULTING ADDRESS:
124, CHURCH STREET
JHB 2009
TEL: (011) 231 3300
FAX: (011) 231 3118
EMAIL: info@t2tech.co.za
WWW.T2TECH.CO.ZA

ISSUED FOR:
TENDER DRAWING
PROJECT TITLE:
PINKIE SEBOTSE SPORTS FACILITY
DRAWING TITLE:
DRAINAGE SYSTEM

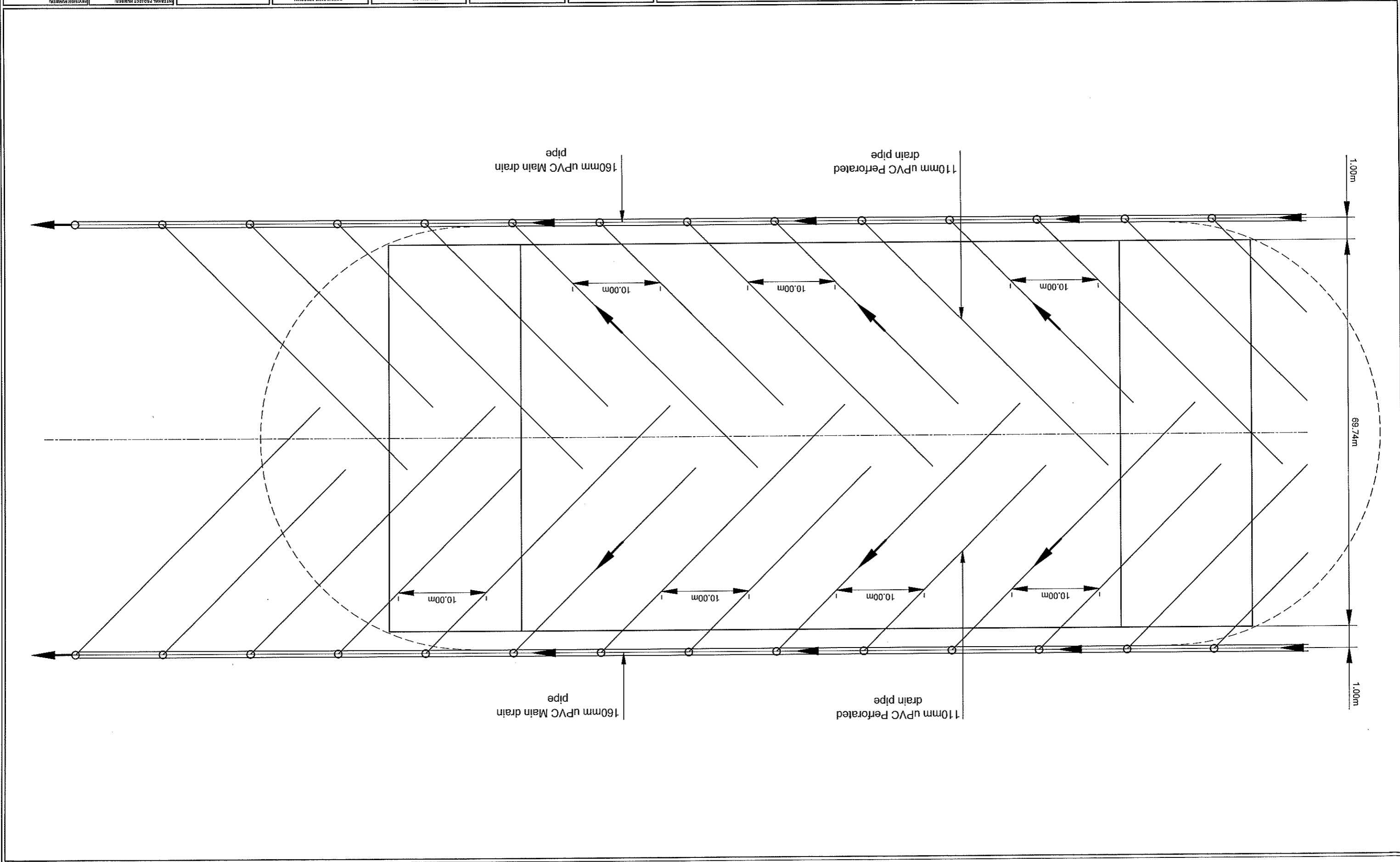


CLIENT ADDRESS:
BLOEMFONTEIN MUNICIPALITY
P.O. Box 1593
BLOEMFONTEIN,
9700

| | |
|----------------------------|---------------------------|
| CHECKED BY: | DATE: |
| NAME: L. RYOBA | |
| SIGNATURE | SIGNATURE |
| | |
| ECOSA: REG. NO. 2019303358 | ECOSA: REG. NO. 200670165 |
| NAME: TFV NDOU | NAME: TFV NDOU |
| CHECKED BY: | DATE: |
| SIGNATURE | SIGNATURE |
| | |

CONSULTANT APPROVAL
THE ABOVE SIGNATORY
AND CHECKER HAVE SEEN
AND APPROVED THE
DRAWING

| | |
|--------------------------|----------------|
| INTERNAL PROJECT NUMBER: | BM 01/2/122 |
| REVISION NUMBER: | 00 |
| SCALE: | AS SHOWN |
| SHEET NUMBER: | 1 of 1 |
| PROJECT NUMBER: | T2102PDD00DS14 |



| REV. | DATE | SIGNATURE | DESCRIPTION |
|------|------|-----------|-------------|
| | | | |
| | | | |
| | | | |
| | | | |

| | |
|-----------------------|----------|
| DESIGNED BY: | R. ZIGAH |
| DESIGN CHECKED: | L. RYOBA |
| DRAWN BY: | R. ZIGAH |
| DRAWING CHECKER BY: | L. RYOBA |
| DIRECTOR APPROVAL BY: | TFV NDOU |

T2-Tech
ENGINEERS (PTY) LTD

12-TECH ENGINEERS (PTY) LTD
15A, CHANCERY STREET
P.O. BOX 513
JANINA PARK, CHRYSLER
ROCKVILLE
0100
TEL: 011 21 2020
FAX: 011 21 2811
E-MAIL: info@t2tech.co.za
Website: www.t2tech.co.za

ISSUED FOR: **TENDER DRAWING**
PROJECT TITLE: **PINKIE SEBOTSE SPORTS FACILITY**
DRAWING TITLE: **IRRIGATION SYSTEM**



CLIENT ADDRESS: **BLOEMFONTEIN MUNICIPALITY**
P.O. Box 1593
SEKHOMBELE,
0100

CLIENT LOGO:

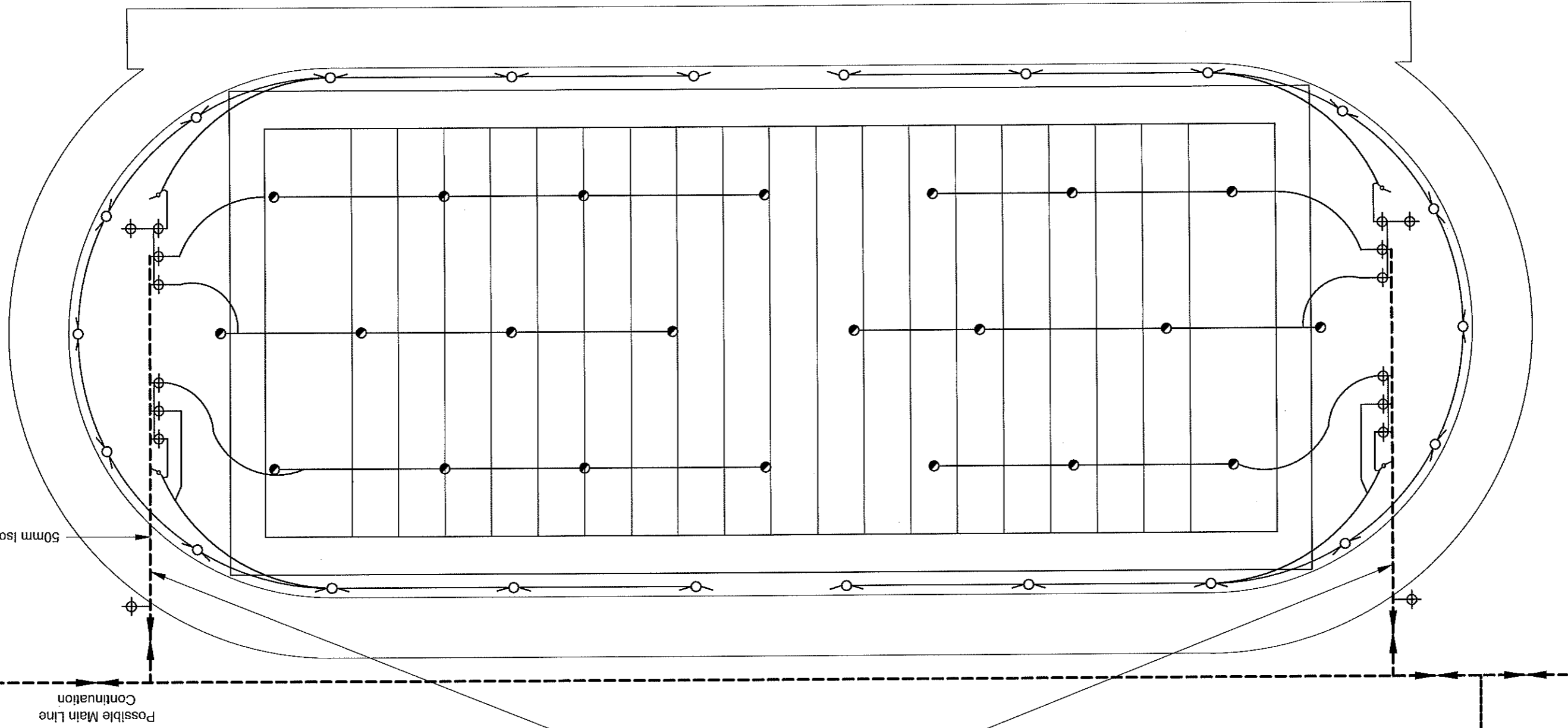
DATE: _____
SIGNATURE: _____
CHECKED BY: _____

DATE: _____
SIGNATURE: _____
CONSULTANT APPROVAL: _____

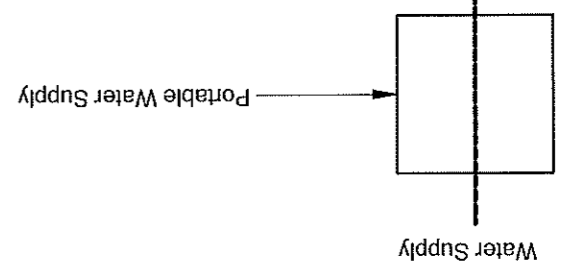
THE ABOVE SIGNATORY
AND CHECKER HAVE SEEN
AND APPROVED THE
DRAWING

| | |
|------------------|---------------|
| DRAWING NUMBER: | T2102PD001S15 |
| SHEET NUMBER: | 1 of 1 |
| SCALE: | AS SHOWN |
| DATE: | BM 01/2/122 |
| REVISION NUMBER: | 00 |

REVISION SCHEDULE



Sleeving Required Prior to Track
Construction Will Vary According
to Application



| No. | TYPE | NAME |
|-----|------|--------------------------|
| 1. | | WATER SUPPLY |
| 2. | | Part Circle Sprinklers |
| 3. | | Full Circle - Sprinklers |
| 4. | | Coupling Valve |

LEGEND

| REV. | DATE | DESCRIPTION |
|------|------|-------------|
| | | |
| | | |
| | | |
| | | |

| | |
|--------------|------------|
| DESIGNED BY: | R. ZIGAH |
| CHECKED BY: | L. RYGBA |
| DRAWN BY: | R. ZIGAH |
| APPROVED BY: | L. RYGBA |
| DATE: | 17/01/2022 |

T2-Tech
ENGINEERS (PTY) LTD

12-TECH ENGINEERS (PTY) LTD
11A, CHURCH STREET
FLO. 4th/5th
MARA PARK, 0077
JHB, 2001
POLYMERBANK
0210
TEL: 011 231 1300
FAX: 011 231 2114
E-MAIL: info@t2tech.co.za
www.t2tech.co.za

TENDER DRAWING
STEEL GATE
PINKIE SEBOTSE SPORTS FACILITY

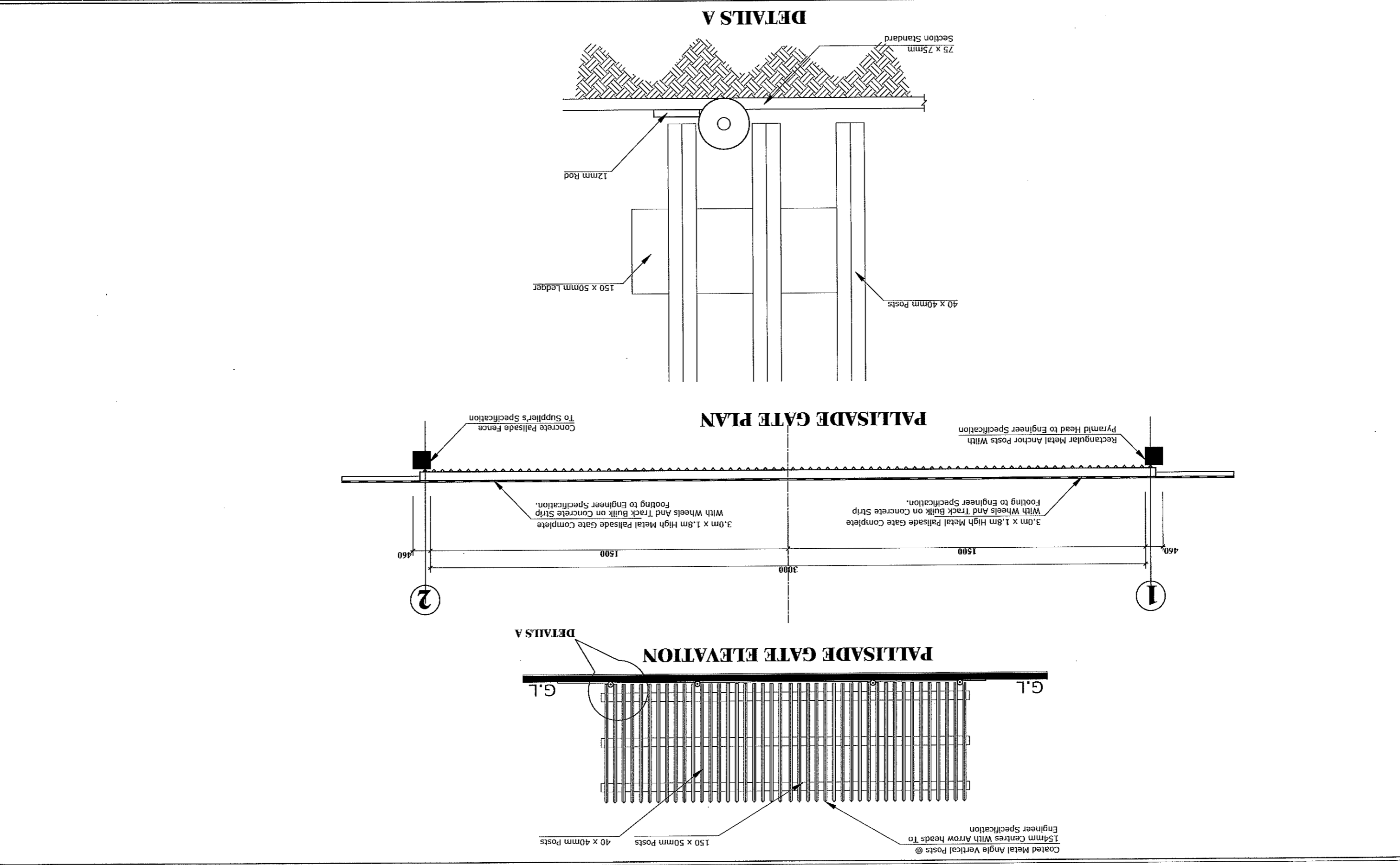


CLIENT ADDRESS:
BLOEMFONTEIN MUNICIPALITY
P.O. Box 1993
BLOEMFONTEIN,
0100
TEL: 011 463 7100
FAX: 011 463 80074

| | |
|---------------------------|--------------------------|
| ENGINEER BY: | NAME: L. RYGBA |
| DATE: | DATE: 17/01/2022 |
| SIGNATURE: | SIGNATURE: |
| ECSA: REG. NO. 2019300358 | ECSA: REG. NO. 200670155 |
| NAME: T.F. NDOU | NAME: T.F. NDOU |
| CONSULTANT APPROVAL: | CONSULTANT APPROVAL: |

THE ABOVE SIGNATORY
AND CHECKER HAVE SEEN
AND APPROVED THE
DRAWING

| | |
|--------------------------|---------------|
| INTERNAL PROJECT NUMBER: | BM 01/21/22 |
| REVISION NUMBER: | 00 |
| PAPER SCALE: | AS SHOWN |
| SHEET NUMBER: | 1 of 1 |
| DRAWING NUMBER: | T2102PD00SG16 |



| REV. | DATE | REVISION | DESCRIPTION |
|------|------|----------|-------------|
| | | | |
| | | | |
| | | | |
| | | | |
| | | | |
| | | | |
| | | | |
| | | | |
| | | | |

| | |
|-----------------------|----------|
| DESIGNED BY: | R. ZIGAH |
| DESIGN CHECKED BY: | L. RYOBA |
| DRAWN BY: | R. ZIGAH |
| DRAWING CHECKED BY: | L. RYOBA |
| DIRECTOR APPROVAL BY: | TFV NDOU |

T2-Tech
ENGINEERS (PTY) LTD
12-TECH ENGINEERS (PTY) LTD
12A, CHURCH STREET
F.O. BOX 213
FAIRVA PARK, 0101
FOKONNE
TEL: 0121 241 2420
FAX: 0121 241 2114
E-MAIL: info@t2tech.co.za
www.t2tech.co.za

CONSULTING ADDRESS:
ISSUED FOR:
PROJECT TITLE:
DRAWING TITLE:

TENDER DRAWING
PINKIE SEBOTSE SPORTS FACILITY
CONCRETE PALLSADE FENCING

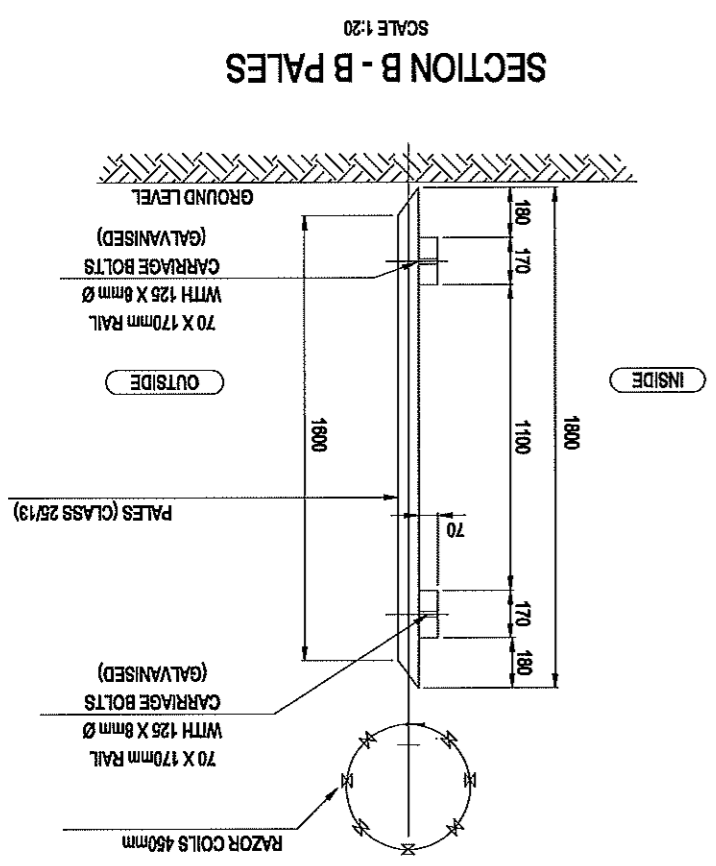
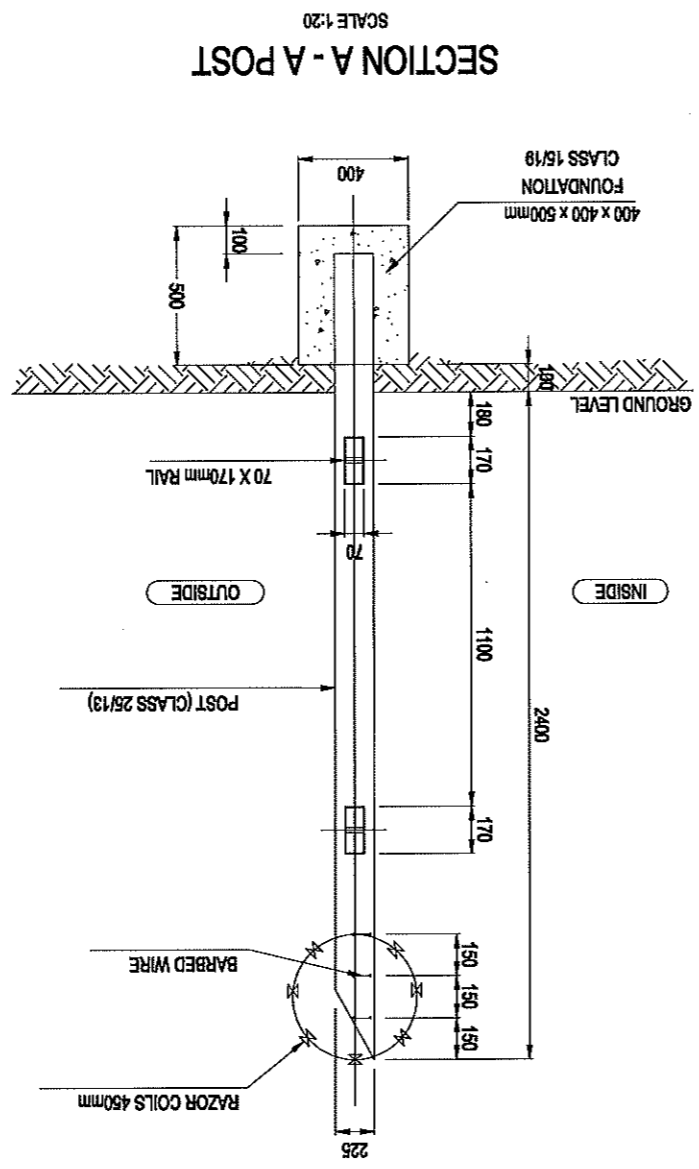
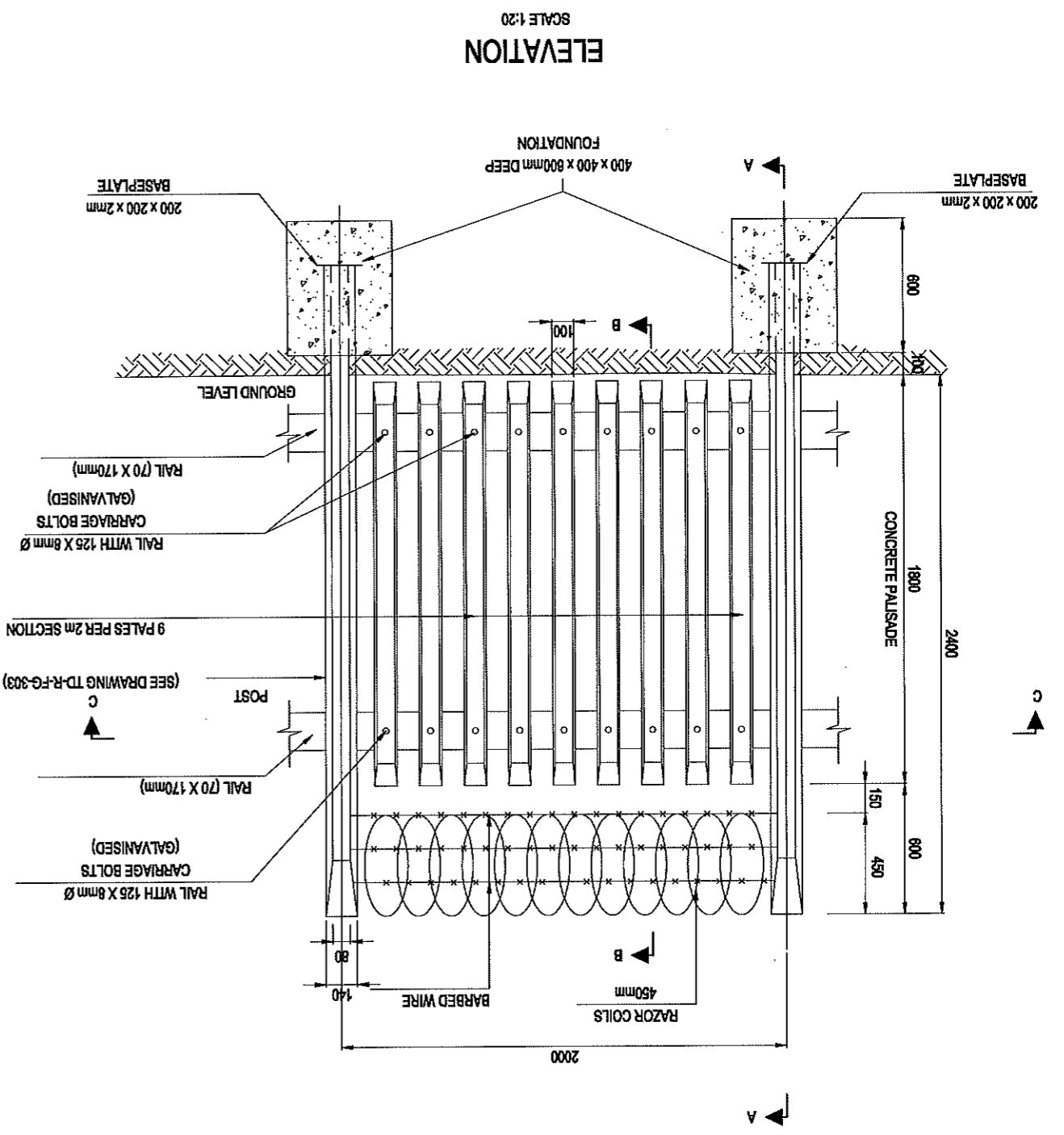


CLIENT ADDRESS:
CLIENT LOGO:
NAME: L. RYOBA
CHECKED BY:
ECSA: REG. NO. 2019300358

DATE:
SIGNATURE:
ECSA: REG. NO. 200670156
NAME: TFV NDOU
CONSULTANT APPROVAL:

DATE:
SIGNATURE:
ECSA: REG. NO. 200670156
NAME: TFV NDOU
CONSULTANT APPROVAL:

THE ABOVE SIGNATORY
AND CHECKER HAVE SEEN
DRAWING
AND APPROVED THE
DRAWING
DRAWING NUMBER: T2102PD00CP17
SHEET NUMBER: 2 of 2
AS SHOWN
SCALE:
BM 01/2/122
00
INTERNAL PROJECT NUMBER:
REVISION NUMBER:



NOTES
1. RAILS TO BE IN LENGTH OF MULTIPLES OF 2m (MIN. 4m).
2. JOINTS BETWEEN RAILS TO BE IN CENTRE OF POSTS, JOINTS IN TOP RAIL
AND BOTTOM RAIL NOT TO COINCIDE IN SAME POST.
3. RAIL TO BE BONDED TO POSTS USING EPIDERMIX 350 OR SIMILAR APPROVED
ADHESIVE.

| REV. | DATE | SIGNATURE | DESCRIPTION |
|------|------|-----------|-------------|
| | | | |
| | | | |
| | | | |
| | | | |

| | |
|------------------------|----------|
| DESIGNED BY: | R. ZIGAH |
| DESIGN CHECKED BY: | I. RYOBA |
| DRAWN BY: | R. ZIGAH |
| DRAWING CHECKED BY: | I. RYOBA |
| DIRECTION APPROVAL BY: | I. RYOBA |
| DATE: | |

T2-Tech
ENGINEERS (PTY) LTD

12-TECH ENGINEERS (PTY) LTD
CONSULTING ADDRESS:
124, CHURCH STREET
F.O. BOX 123
FARM VILLAGE
R.F. 102
FOKONAME:
G.M.
R.F. 101 241 2320
8, MAFCO/8/8/2004/20
E-MAIL: info@t2tech.co.za
Website: www.t2tech.co.za

TENDER DRAWING

PROJECT TITLE:
PINKIE SEBOTSE SPORTS FACILITY

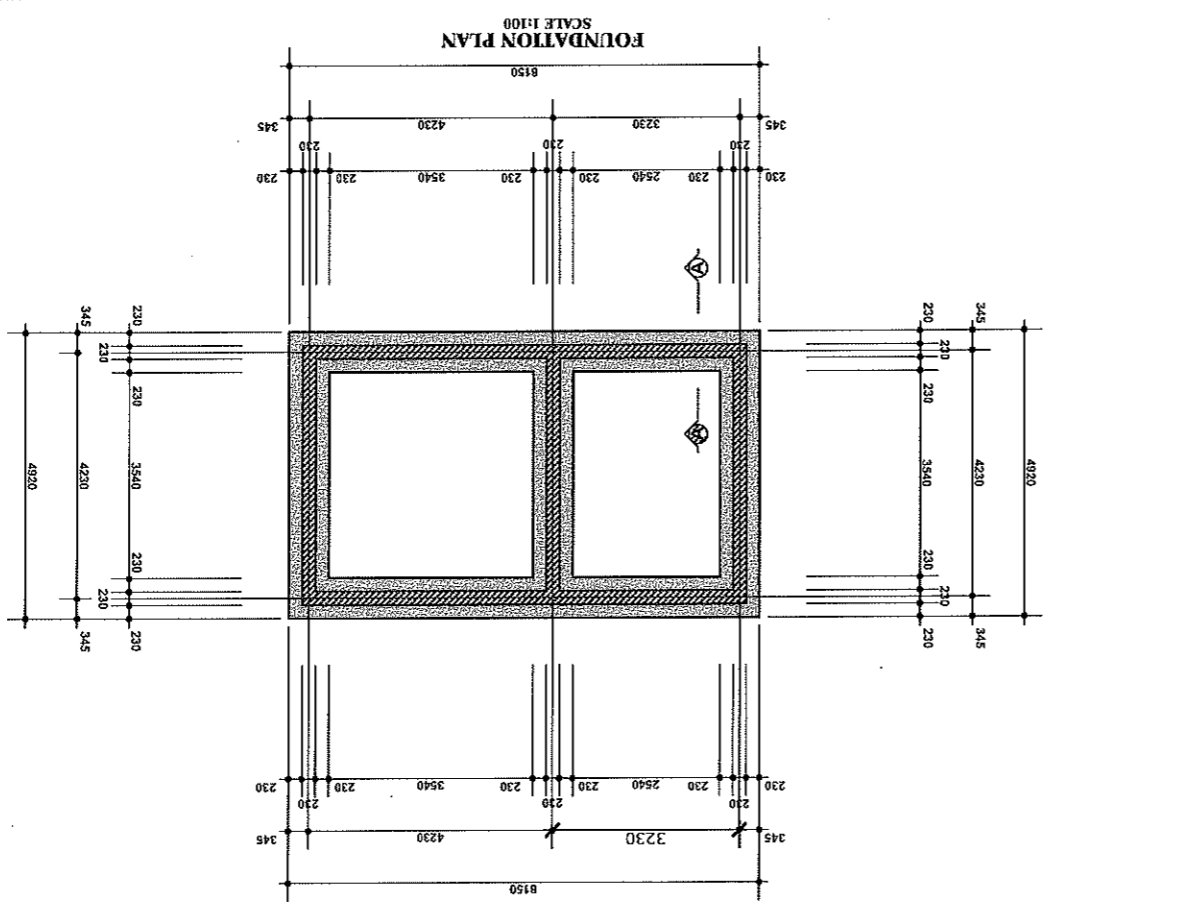
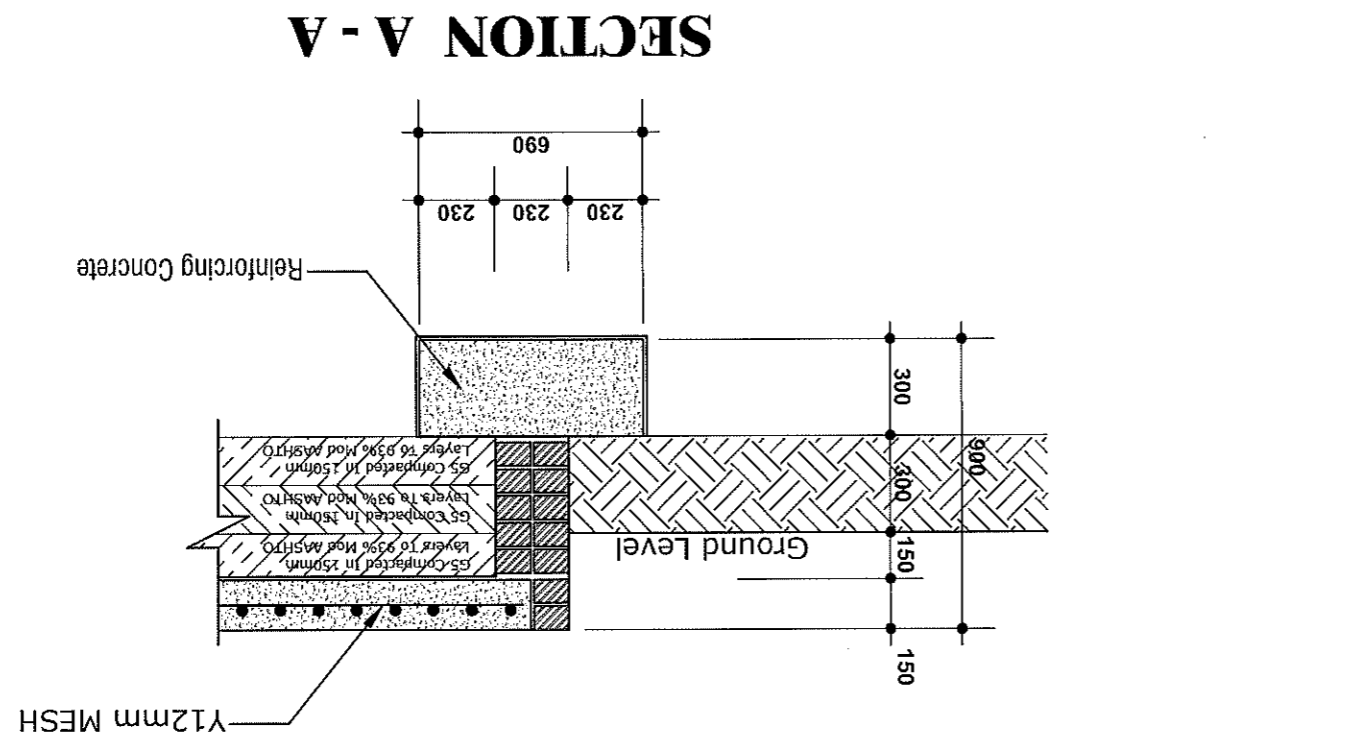
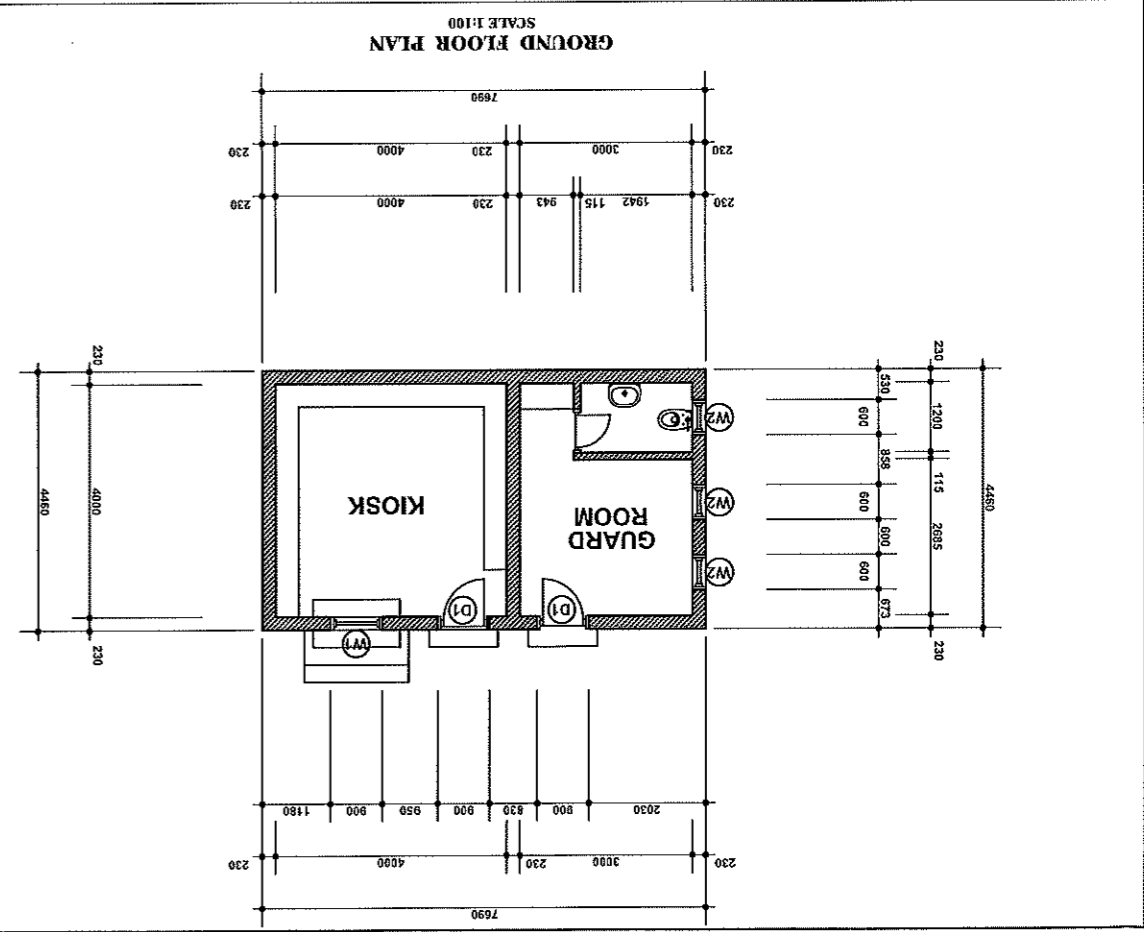
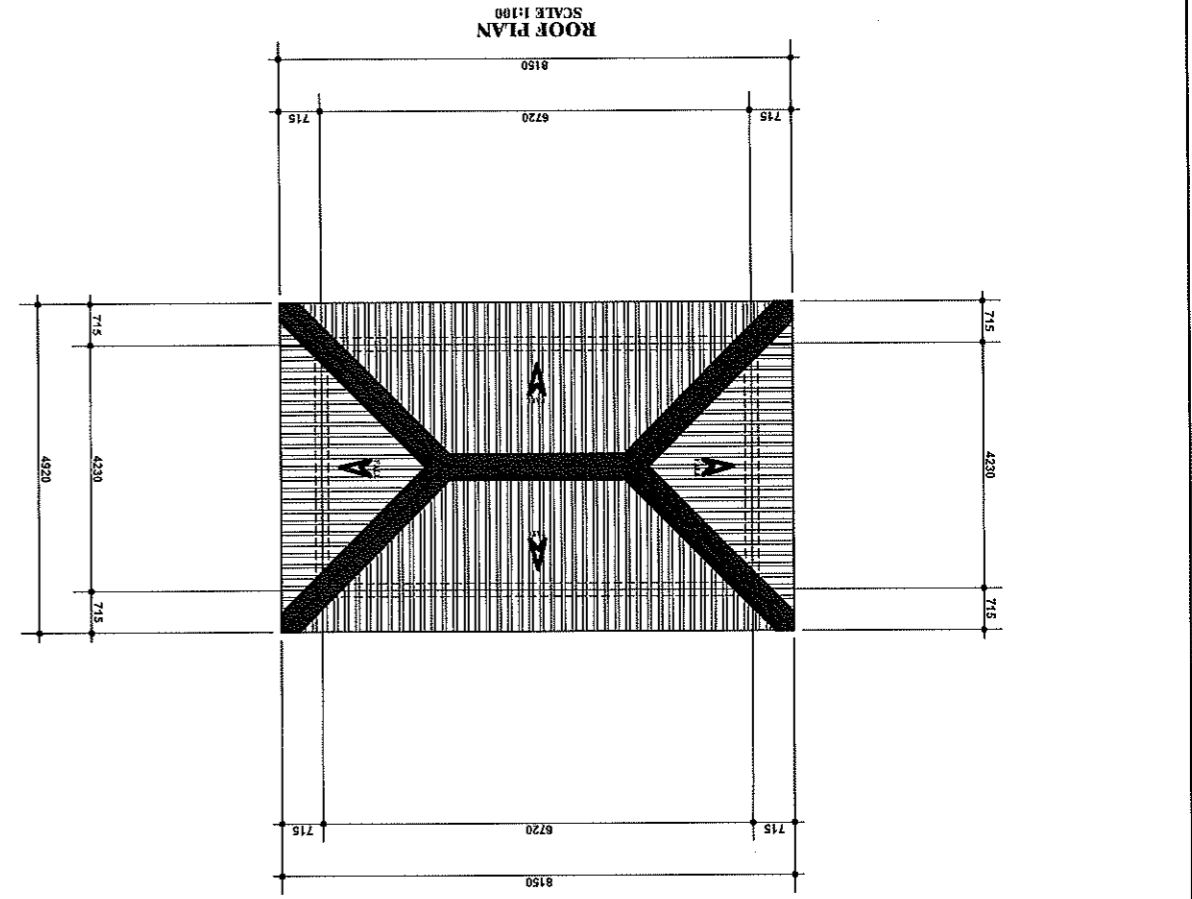
DRAWING TITLE:
GUARD ROOM FLOOR LAYOUT PLAN, ROOF PLAN, FOUNDATION PLAN & SECTION

ISSUED FOR:
CLIENT LOGO:
CLIENT ADDRESS:
BLOUENBERG MUNICIPALITY
P.O. Box 1583
BENONI, 10150

| | |
|-------------|----------|
| CHECKED BY: | I. RYOBA |
| SIGNATURE: | |
| DATE: | |
| CHECKED BY: | I. RYOBA |
| SIGNATURE: | |
| DATE: | |

| | |
|--------------------------|---------------|
| INTERNAL PROJECT NUMBER: | BM 01/21/22 |
| EXTERNAL PROJECT NUMBER: | 12102PP00GR18 |
| SCALE: | AS SHOWN |
| DATE: | 00 |

THE ABOVE SIGNATORY AND CHECKER HAVE SEEN AND APPROVED THE DRAWING



NOTES:

- ALL DIMENSIONS ARE INDICATED IN MILLIMETERS AND MUST BE CONTROLLED ON SITE
- ALL DIMENSIONS AND LEVELS ARE TO BE VERIFIED ON SITE PRIOR TO COMMENCING OR CONSTRUCTION
- THIS DRAWING MUST NOT BE SCALED, FIGURED
- DIMENSIONS ONLY TO BE USED.
- DISCREPANCIES, ERRORS AND DIMENSIONS ARE TO BE REPORTED TO THE ARCHITECT (EMPLOYER), IMMEDIATELY THEY BECOME EVIDENT.
- SHOP DRAWINGS TO BE SUBMITTED FOR APPROVAL PRIOR TO MANUFACTURE OR INSTALLATION.
- COPYRIGHT AND RIGHT OF REPRODUCTION OF THIS DRAWING OR ANY PORTION THERE OF IS RESERVED BY THE ENGINEER.
- NOTES:
 - REVISIONS TO BE CONTROLLED BY THE ENGINEER
 - ALL DIMENSIONS ARE TO BE CONTROLLED ON SITE
 - DISCREPANCIES, ERRORS AND DIMENSIONS ARE TO BE REPORTED TO THE ARCHITECT (EMPLOYER), IMMEDIATELY THEY BECOME EVIDENT.
 - SHOP DRAWINGS TO BE SUBMITTED FOR APPROVAL PRIOR TO MANUFACTURE OR INSTALLATION.
 - COPYRIGHT AND RIGHT OF REPRODUCTION OF THIS DRAWING OR ANY PORTION THERE OF IS RESERVED BY THE ENGINEER.

| REVISION | DATE | APPROVAL | DESCRIPTION |
|----------|------|----------|-------------|
| | | | |
| | | | |
| | | | |
| | | | |

| | |
|----------------------|----------|
| DESIGNED BY: | R. ZIGAH |
| DESIGN CHECKED BY: | I. RYOBA |
| DRAWING CHECKED BY: | I. RYOBA |
| PROJECT APPROVAL BY: | TFV NDOU |

T2-TECH ENGINEERS (PTY) LTD

11A, CAMBER STREET
FLOORS 2&3
FACILITY MANAGEMENT
WINDERMERE, 0100
TEL: 0118 261 2120
FAX: 0118 271 2116
WWW.T2TECH.CO.ZA

CONSULTING ADDRESS:
ISSUED FOR:
PROJECT TITLE:
DRAWING TITLE:

PINKIE SEBOTSE SPORTS FACILITY

GUARD ROOM, ELEVATIONS, DOOR & WINDOW SCHEDULE

CLIENT LOGO:
CLIENT ADDRESS:
BLOUENSBURG MUNICIPALITY
P.O. BOX 1593
SEKERUKHATHA,
0750
TEL: 0118 265 7100
FAX: 0118 265 9450/4

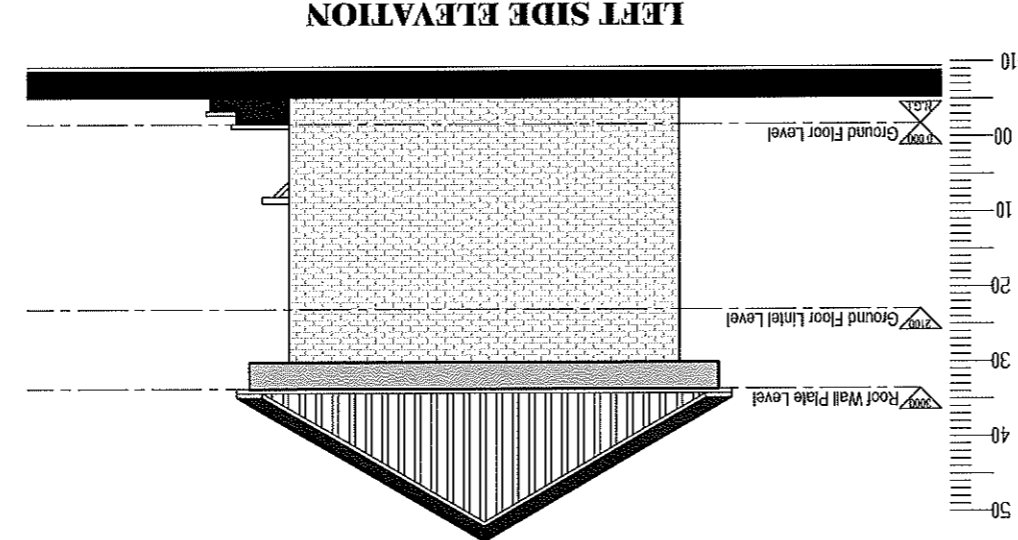
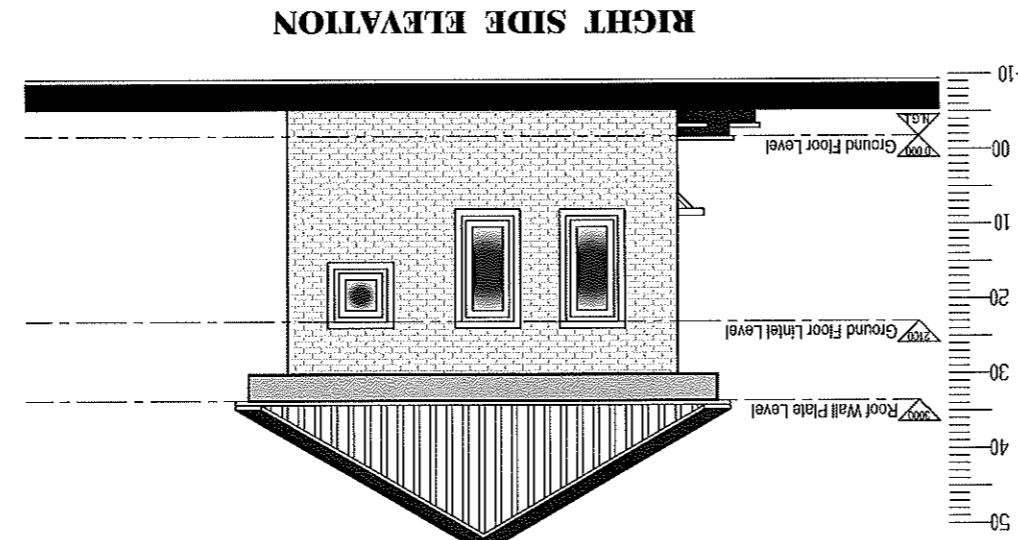
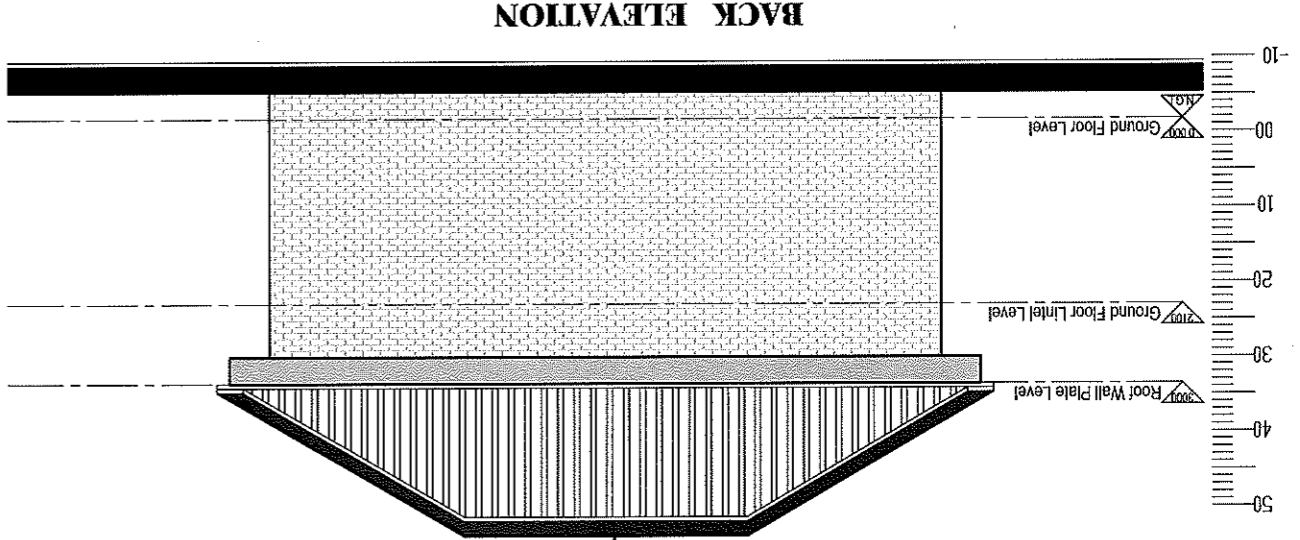
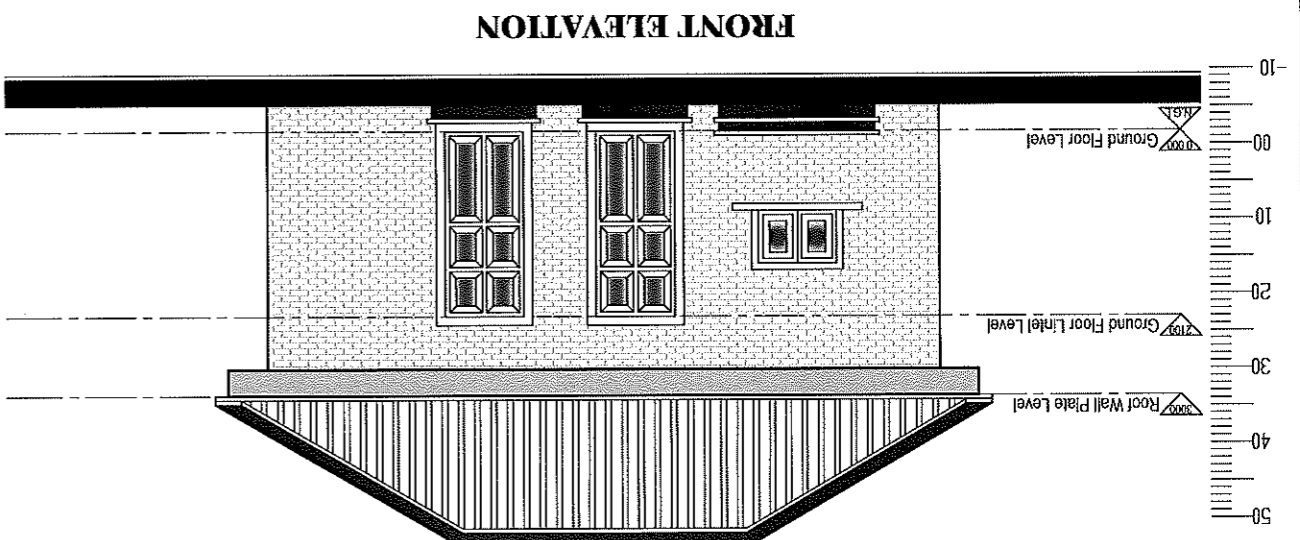


DATE: _____
SIGNATURE: _____
NAME: **L. RYOBA**
CHECKED BY: _____
DATE: _____
SIGNATURE: _____
NAME: **TFV NDOU**

DATE: _____
SIGNATURE: _____
NAME: **TFV NDOU**
CONSULTANT APPROVAL:

THE ABOVE SIGNATORY CERTIFY THAT THE DESIGNER AND CHECKER HAVE SEEN AND APPROVED THE DRAWING

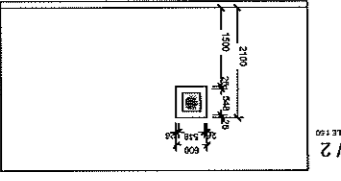
PROJECT NUMBER: **T2102PDD00GR19**
SHEET NUMBER: **1 OF 1**
SCALE: **A1**
DATE: **01/21/22**
DIVISION NUMBER: **00**



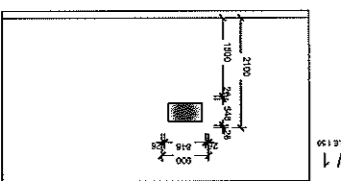
CEILING NOTES:
6,4mm THICK GYPSUM CEILING BOARD FIXED ON 38x38 S.A. PINE BRANDEINGS AT 450mm max. C/C, 70x70

CEILING NOTES:
6,4mm THICK GYPSUM CEILING BOARD FIXED ON 38x38 S.A. PINE BRANDEINGS AT 450mm max. C/C, 70x70

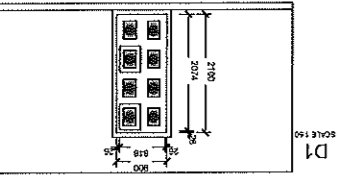
| | |
|-----------------|--|
| CATALOGUE NO. | PURPOSE MADE OPENING PANEL ALUMINIUM WINDOW |
| NUMBER REQUIRED | 3 |
| FRAME | PURPOSE MADE FROM STANDARD ALUMINIUM SECTIONS, 8000 HUNG PANELS OPEN TO INSIDE. |
| GLAZING | 8mm LAMINATED CLEAR SAFETY GLASS FITTED |
| FITTINGS | SECTION AS PER MANUFACTURER |
| FINISH | NATURAL ANODISED ALUMINIUM |
| GENERAL | 1) 2x UNION-1-20315-30000 (850x1800) WITH ALUMINIUM WINDOW FRAME AS PER MANUFACTURER 2) 2x UNION-1-20315-30000 (850x1800) WITH ALUMINIUM WINDOW FRAME AS PER MANUFACTURER 3) 2x UNION-1-20315-30000 (850x1800) WITH ALUMINIUM WINDOW FRAME AS PER MANUFACTURER 4) 2x UNION-1-20315-30000 (850x1800) WITH ALUMINIUM WINDOW FRAME AS PER MANUFACTURER 5) 2x UNION-1-20315-30000 (850x1800) WITH ALUMINIUM WINDOW FRAME AS PER MANUFACTURER 6) 2x UNION-1-20315-30000 (850x1800) WITH ALUMINIUM WINDOW FRAME AS PER MANUFACTURER |



| | |
|-----------------|--|
| CATALOGUE NO. | PURPOSE MADE OPENING PANEL ALUMINIUM WINDOW |
| NUMBER REQUIRED | 1 |
| FRAME | PURPOSE MADE FROM STANDARD ALUMINIUM SECTIONS, 8000 HUNG PANELS OPEN TO INSIDE. |
| GLAZING | 8mm LAMINATED CLEAR SAFETY GLASS FITTED |
| FITTINGS | SECTION AS PER MANUFACTURER |
| FINISH | NATURAL ANODISED ALUMINIUM |
| GENERAL | 1) 2x UNION-1-20315-30000 (850x1800) WITH ALUMINIUM WINDOW FRAME AS PER MANUFACTURER 2) 2x UNION-1-20315-30000 (850x1800) WITH ALUMINIUM WINDOW FRAME AS PER MANUFACTURER 3) 2x UNION-1-20315-30000 (850x1800) WITH ALUMINIUM WINDOW FRAME AS PER MANUFACTURER 4) 2x UNION-1-20315-30000 (850x1800) WITH ALUMINIUM WINDOW FRAME AS PER MANUFACTURER 5) 2x UNION-1-20315-30000 (850x1800) WITH ALUMINIUM WINDOW FRAME AS PER MANUFACTURER 6) 2x UNION-1-20315-30000 (850x1800) WITH ALUMINIUM WINDOW FRAME AS PER MANUFACTURER |



| NUMBER REQUIRED | DIRECTION | DESCRIPTION | UNIT | QTY | REMARKS |
|-----------------|-----------|-------------|------|-----|---------|
| 2 | | | | | |
| TOTAL: | | | | | |



| | | | | | |
|--|--|--|--|--|--|
| PART A3 - AMOERDI HOSPITAL, SYDNEY, - Door schedule scale 1:50 | | | | | |
| MASTERKEY | | | | | |
| GENERAL | | | | | |
| FURNITURE | | | | | |
| FRAMING FINISH | | | | | |
| FRAME | | | | | |
| DOOR FINISH | | | | | |

| REV. | DATE | SIGNATURE | DESCRIPTION |
|------|------|-----------|-------------|
| | | | |
| | | | |
| | | | |

| | |
|--------------------|------------|
| DESIGNED BY: | R. ZIGAH |
| DESIGN CHECKED BY: | L. RYOBA |
| DRAWN BY: | R. ZIGAH |
| CHECKED BY: | L. RYOBA |
| DATE: | 12/11/2020 |

T2-Tech
ENGINEERS (PTY) LTD

12-TECH ENGINEERS (PTY) LTD
15A, CHURCH STREET
MIDVALE, CAPETOWN
7130
TEL: 021 991 3200
FAX: 021 991 3201
WWW.T2TECH.CO.ZA

TENDER DRAWING

PROJECT TITLE:
PINKIE SEBOTSE SPORTS FACILITY

DRAWING TITLE:
TOILET TYPE A: FLOOR LAYOUT PLAN, ROOF PLAN,
FOUNDATION PLAN & HAND BASIN

ISSUED FOR:
CLIENT ADDRESS:
15560 PO BOX 15560
KENSINGTON, CAPE TOWN 7950



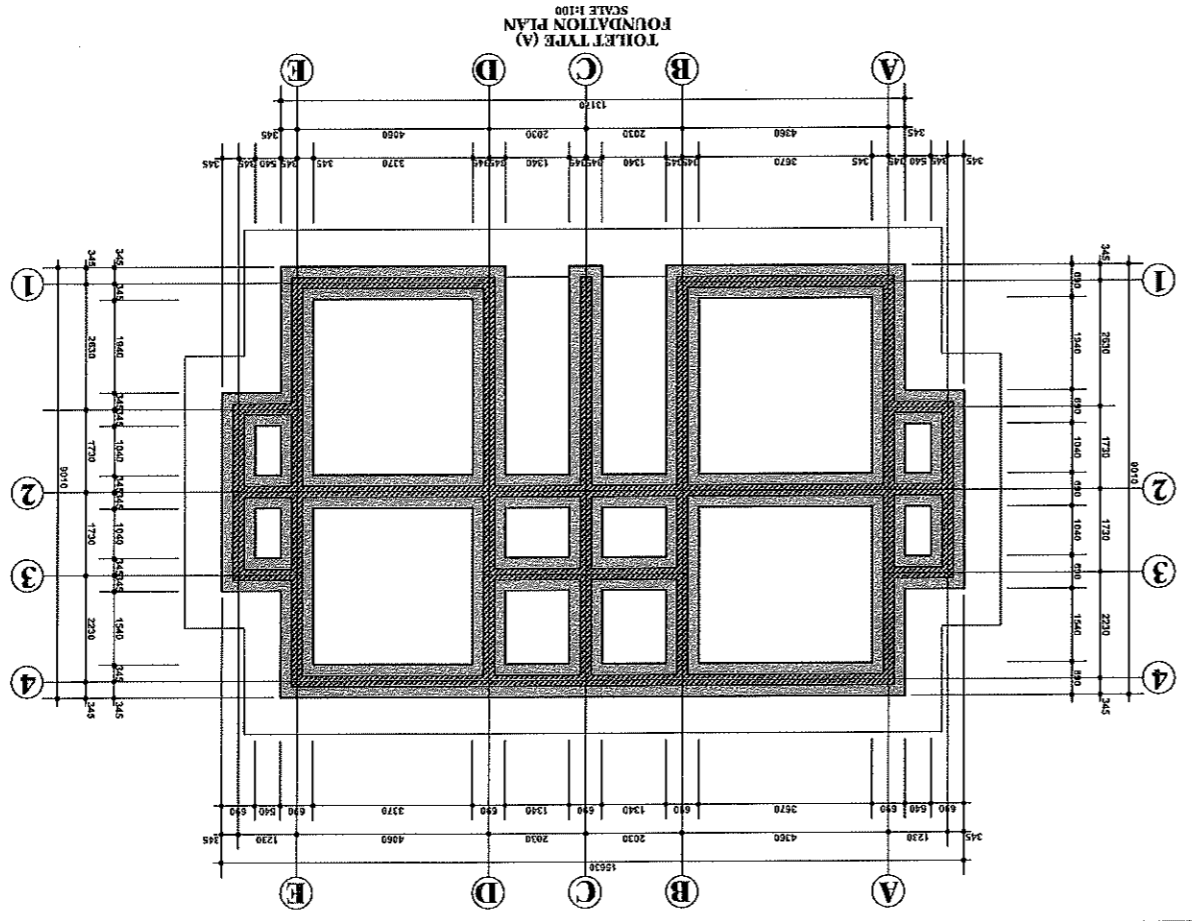
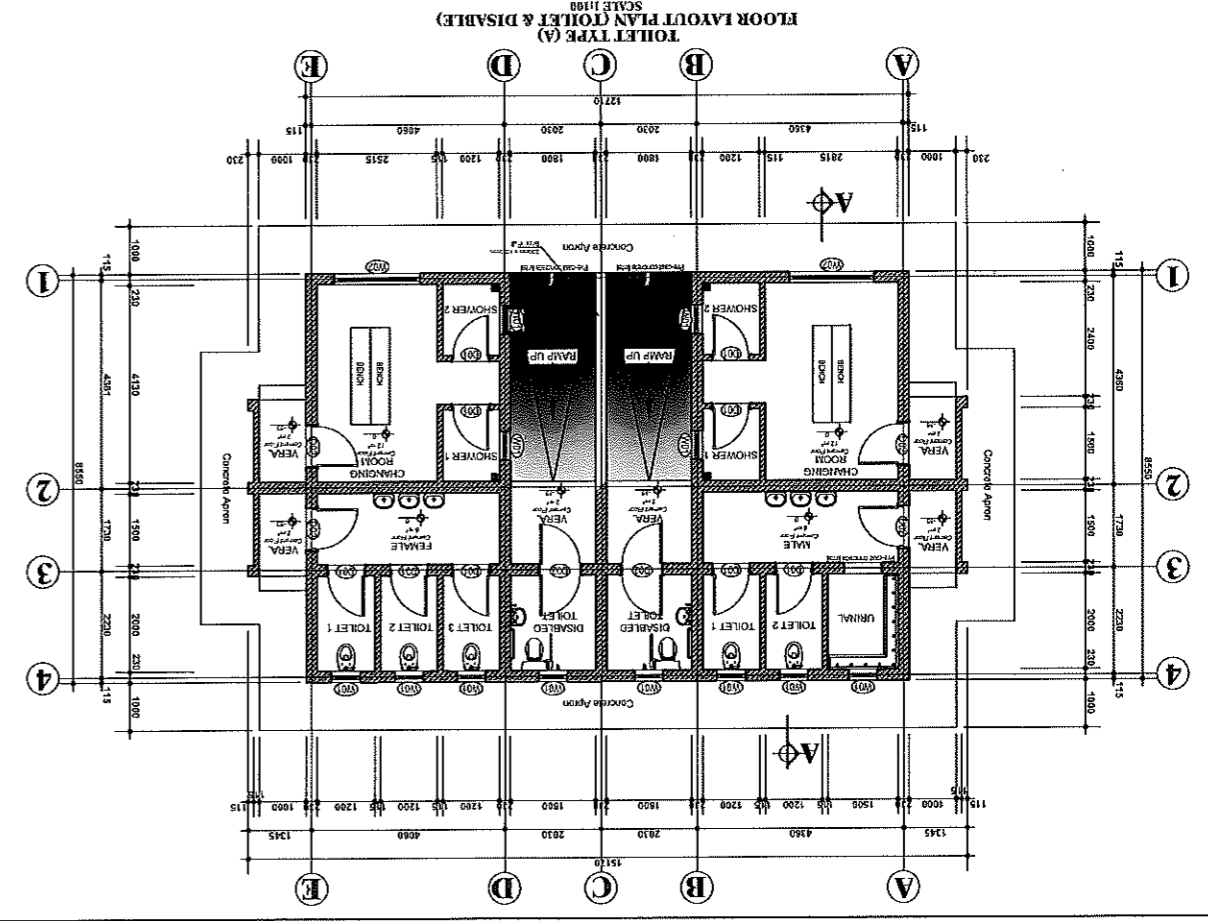
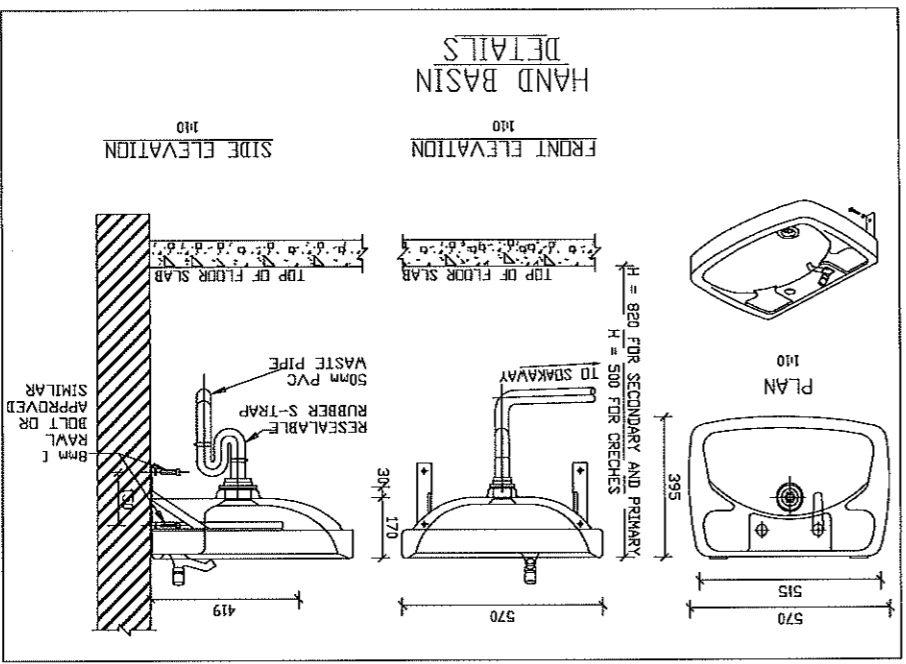
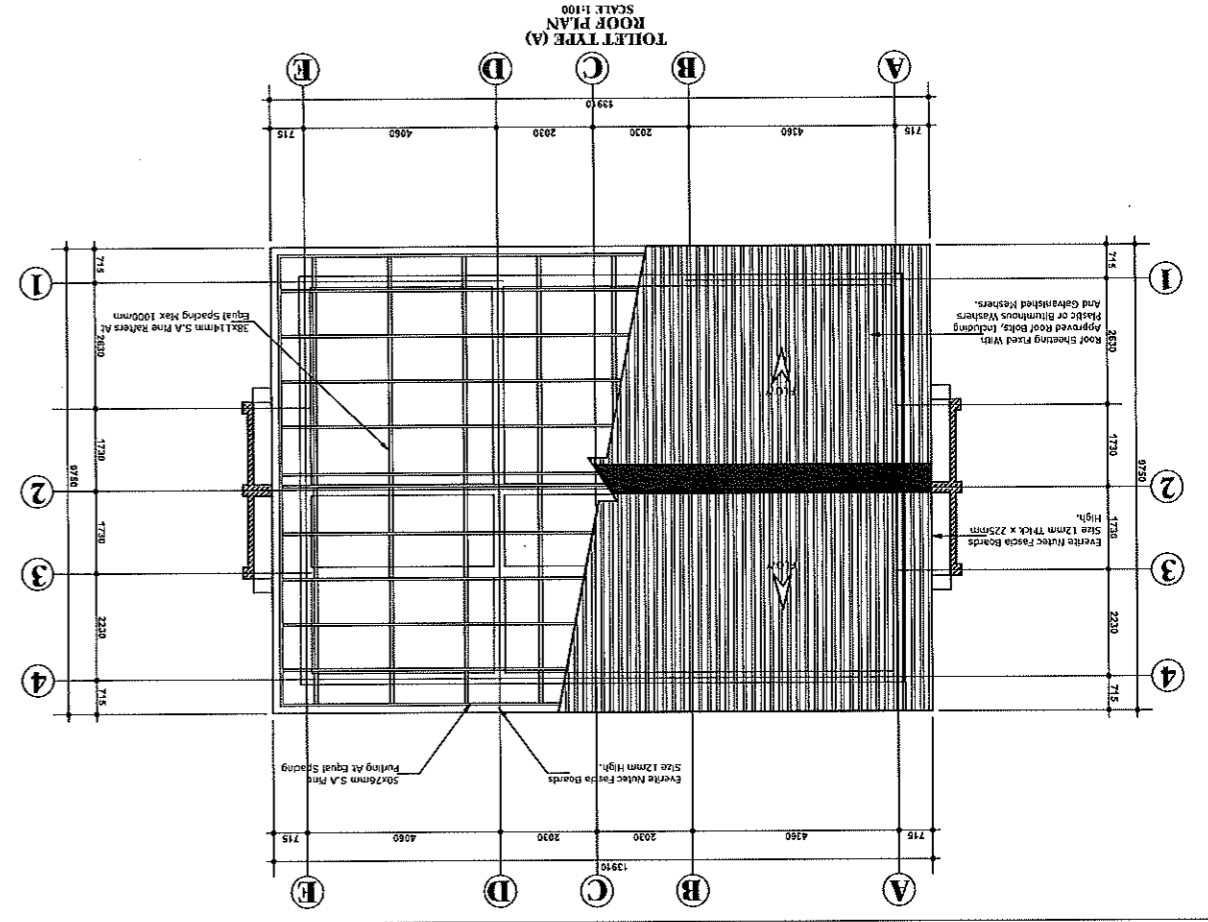
CLIENT NAME:
BLUEBERG MUNICIPALITY

CLIENT ADDRESS:
P.O. BOX 15560
KENSINGTON,
CAPE TOWN, 7950
TEL: 021 991 3200
FAX: 021 991 3201

| | | | |
|-------------|-------------------|------------|--|
| CHECKED BY: | NAME: L. RYOBA | DATE: | |
| SIGNATURE: | | SIGNATURE: | |
| DATE: | | DATE: | |
| CHECKED BY: | NAME: T.F.V. NDOU | DATE: | |
| SIGNATURE: | | SIGNATURE: | |
| DATE: | | DATE: | |
| CHECKED BY: | NAME: T.F.V. NDOU | DATE: | |
| SIGNATURE: | | SIGNATURE: | |
| DATE: | | DATE: | |

THE ABOVE SIGNATORY
AND CHECKER HAVE SEEN
AND APPROVED THE
DRAWING.

| | |
|------------------|----------------|
| REVISION NUMBER: | 00 |
| DATE: | BM 01/21/22 |
| SCALE: | AS SHOWN |
| SHEET NUMBER: | 1 of 1 |
| PROJECT NUMBER: | T2102PPD00TA20 |



NOTES:

- ALL DIMENSIONS ARE INDICATED IN MILLIMETERS AND MUST BE CONTROLLED ON SITE.
- ALL DIMENSIONS AND LEVELS ARE TO BE VERIFIED ON SITE PRIOR TO COMMENCING OR CONSTRUCTION.
- THIS DRAWING MUST NOT BE SCALED, FIGURED OR DIMENSIONS ONLY TO BE USED.
- DISCREPANCIES, ERRORS AND DIMENSIONS ARE TO BE REPORTED TO THE ARCHITECT (EMPLOYER) IMMEDIATELY THEY BECOME EVIDENT.
- SHOP DRAWINGS TO BE SUBMITTED FOR APPROVAL PRIOR TO MANUFACTURE OR INSTALLATION.
- COPYRIGHT AND RIGHT OF REPRODUCTION OF THIS DRAWING OR ANY PORTION THEREOF IS RESERVED BY THE ENGINEER.

NOTES (CONCRETE)

REINFORCEMENT SHALL BE CAST IN PLACE AND SHALL BE PROTECTED FROM COLLAPSE BY BRACING OR SCAFFOLDING TO BE PROVIDED BY THE CONTRACTOR. ALL REINFORCEMENT SHALL BE CAST AND CURED IN ACCORDANCE WITH THE RELEVANT STANDARDS AND SPECIFICATIONS.

REINFORCEMENT SHALL BE CAST IN PLACE AND SHALL BE PROTECTED FROM COLLAPSE BY BRACING OR SCAFFOLDING TO BE PROVIDED BY THE CONTRACTOR. ALL REINFORCEMENT SHALL BE CAST AND CURED IN ACCORDANCE WITH THE RELEVANT STANDARDS AND SPECIFICATIONS.

| NO. | DATE | SIGNATURE | DESCRIPTION |
|-----|------|-----------|-------------|
| | | | |
| | | | |
| | | | |
| | | | |

| | |
|----------------------|----------|
| DESIGNED BY: | R. ZIGAH |
| DESIGN CHECKED: | L. RYOBA |
| DRAWN BY: | R. ZIGAH |
| DRAWING CHECKED BY: | L. RYOBA |
| PROJECT APPROVAL BY: | TFV NDOU |

T2-Tech
ENGINEERS (PTY) LTD

114, CHURCH STREET
FARMER BUILDING
K.O. BOX 232
RIVINGTON
0100
TEL: (011) 291 2330
RE: (011) 291 2330
WWW.T2TECH.CO.ZA

CONSULTING ADDRESS:
13480 PINE

TENDER DRAWING

PROJECT TITLE:
PINKIE SEBOTSE SPORTS FACILITY

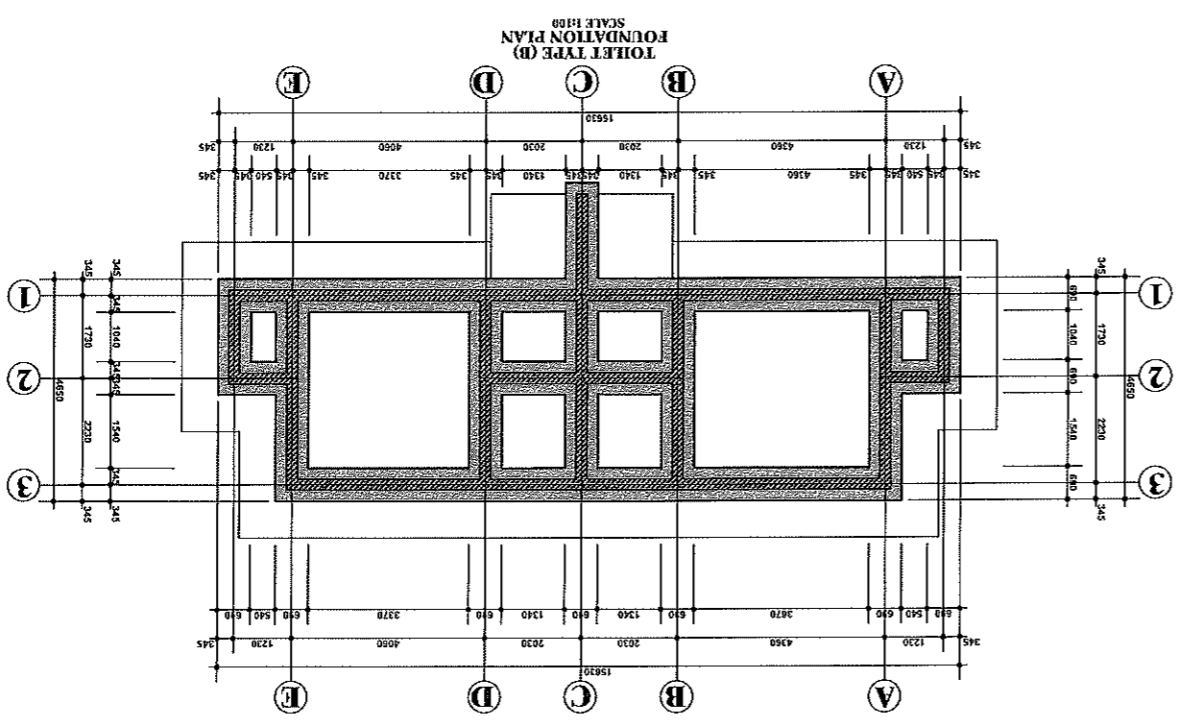
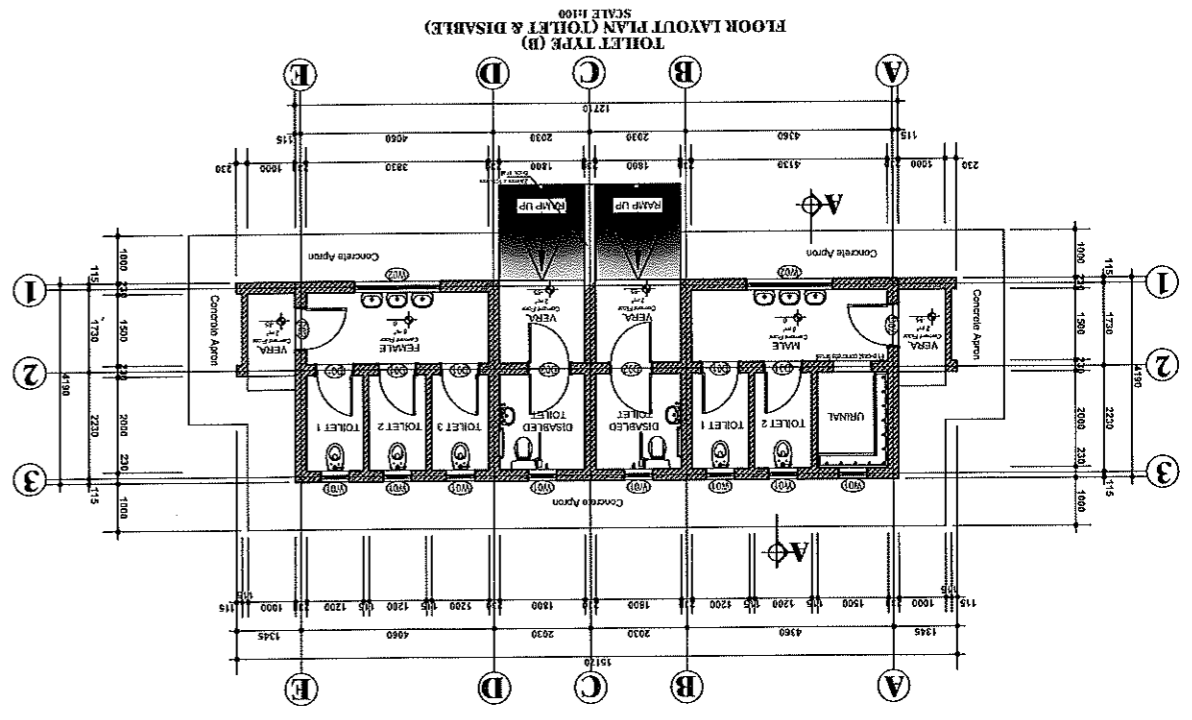
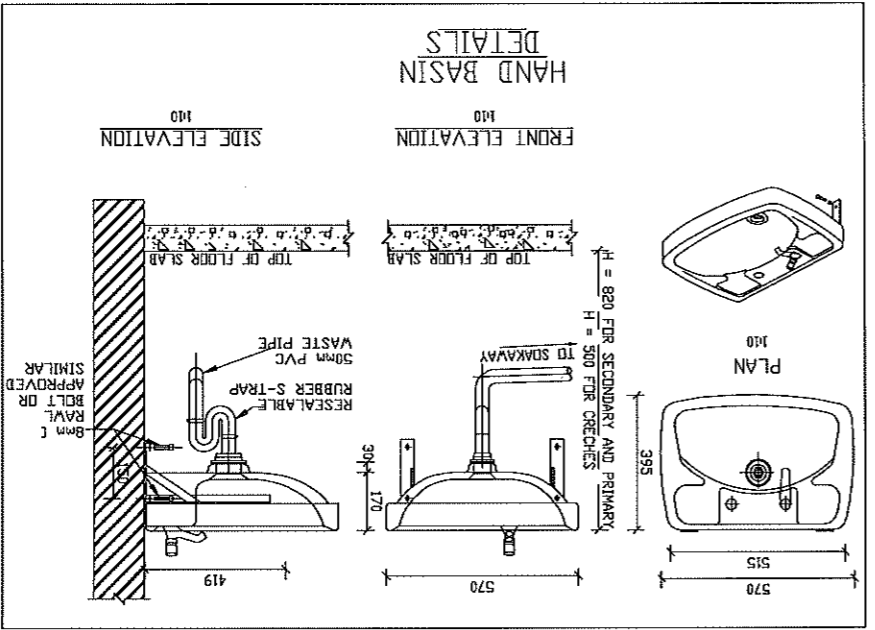
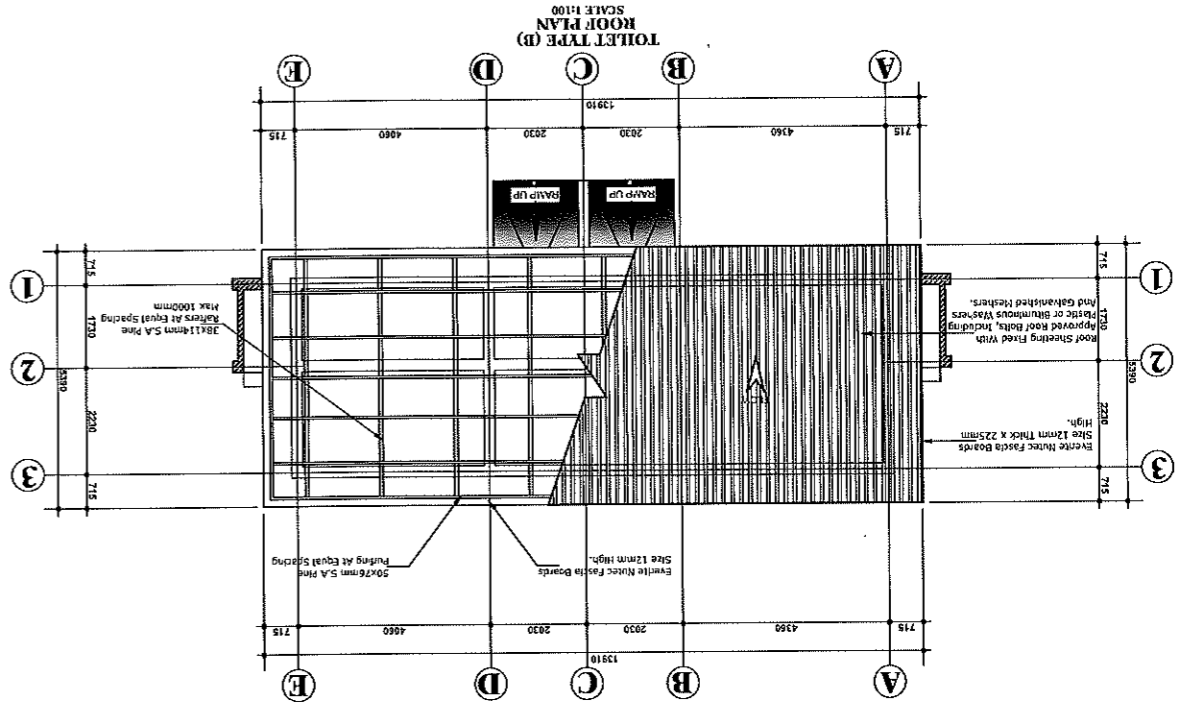
DRAWING TITLE:
TOILET TYPE B: FLOOR LAYOUT PLAN, ROOF PLAN, FOUNDATION PLAN & HAND BASIN

CLIENT LOGO:
BLUBERG MUNICIPALITY
P.O. Box 1893
SHEPSTOWN,
0100
TEL: (011) 502 7100
FAX: (011) 502 5500074

| | |
|----------------------|-----------|
| CHECKED BY: | L. RYOBA |
| CHECKED BY: | L. RYOBA |
| SIGNATURE: | |
| SIGNATURE: | |
| DATE: | |
| DATE: | |
| CONSULTANT APPROVAL: | |
| NAME: | TFV NDOU |
| ECSA REG. NO.: | 201903058 |
| ECSA REG. NO.: | 200970155 |
| TITLE: | |

| | |
|--------------------------|---------------|
| REVISION PROJECT NUMBER: | BM 01/12/22 |
| REVISION NUMBER: | 00 |
| PAPER SCALE: | A1 |
| SCALE: | AS SHOWN |
| SHEET NUMBER: | 1 OF 1 |
| DRAWING NUMBER: | T2102PD001B22 |

THE ABOVE SIGNATORY AND CHECKER HAVE SEEN AND APPROVED THE DRAWING



NOTES:

- ALL DIMENSIONS ARE INDICATED IN MILLIMETERS AND MUST BE CONTROLLED ON SITE
- ALL DIMENSIONS AND LEVELS ARE TO BE VERIFIED OUT SITE PRIOR TO COMMENCING SETTING OUT WORK SHOP DRAWINGS OR CONSTRUCTION
- THIS DRAWING MUST NOT BE SCALED, FIGURED DIMENSIONS ONLY TO BE USED.
- DISCREPANCIES, ERRORS AND DIMENSIONS ARE TO BE REPORTED TO THE ARCHITECT (EMPLOYER), IMMEDIATELY THEY BECOME EVIDENT.
- SHOP DRAWINGS TO BE SUBMITTED FOR APPROVAL PRIOR TO MANUFACTURE OR INSTALLATION.
- COPYRIGHT AND RIGHT OF REPRODUCTION OF THIS DRAWING OR ANY PORTION THERE OF IS RESERVED BY THE ENGINEER.

NOTES (CONCRETE):
CONCRETE TO BE CAST IN PLACE OR PRECAST AND CAST IN PLACE.
ALL WORK SHALL BE TO THE STANDARD SPECIFICATIONS FOR CONCRETE.
REINFORCEMENT SHALL BE TO THE STANDARD SPECIFICATIONS FOR REINFORCEMENT.
REINFORCEMENT SHALL BE TO THE STANDARD SPECIFICATIONS FOR REINFORCEMENT.
REINFORCEMENT SHALL BE TO THE STANDARD SPECIFICATIONS FOR REINFORCEMENT.

| REV. | DATE | REVISION | DESCRIPTION |
|------|------|----------|-------------|
| | | | |
| | | | |
| | | | |
| | | | |

| | |
|----------------------|----------|
| DESIGNED BY: | R. ZIGAH |
| DESIGN CHECKED BY: | L. RYOBA |
| DRAWN BY: | R. ZIGAH |
| DRAWING CHECKED BY: | L. RYOBA |
| PROJECT APPROVAL BY: | TFV NDOU |

T2-Tech
ENGINEERS (PTY) LTD
12-TECH ENGINEERS (PTY) LTD
12A, GARDENS TRAIL
P.O. BOX 212
FAVORA VILLAGE, GYM
POLYVALENT
DPO
TEL: 011 261 2120
FAX: 011 261 2118
WWW.T2-TECH.CO.ZA

CONSULTING ADDRESS:
ISSUED FOR:
PROJECT TITLE:
DRAWING TITLE:
TOILET TYPE B: ELEVATIONS, CROSS SECTION, DOOR & WINDOW SCHEDULE

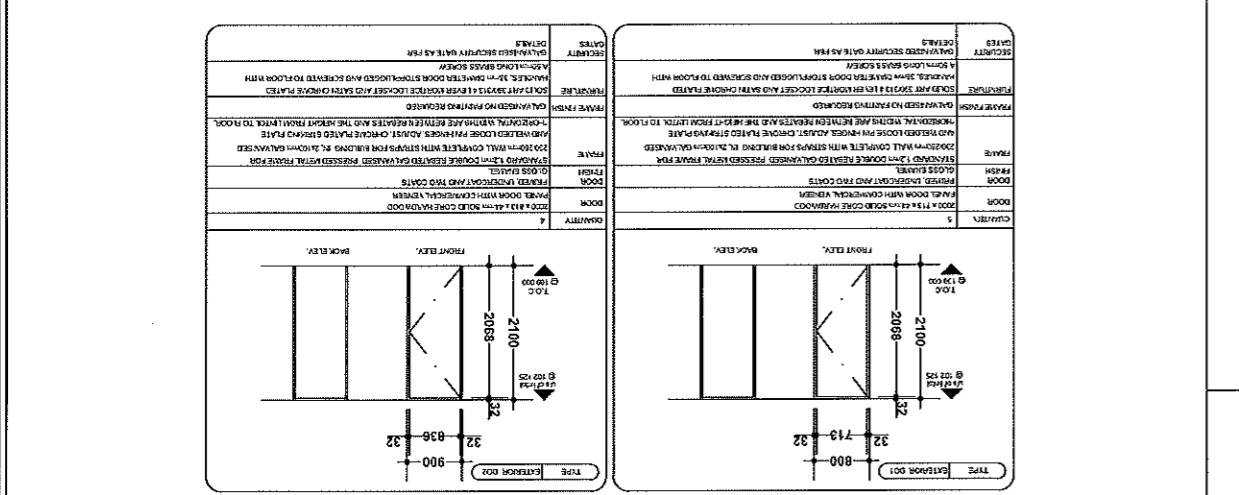
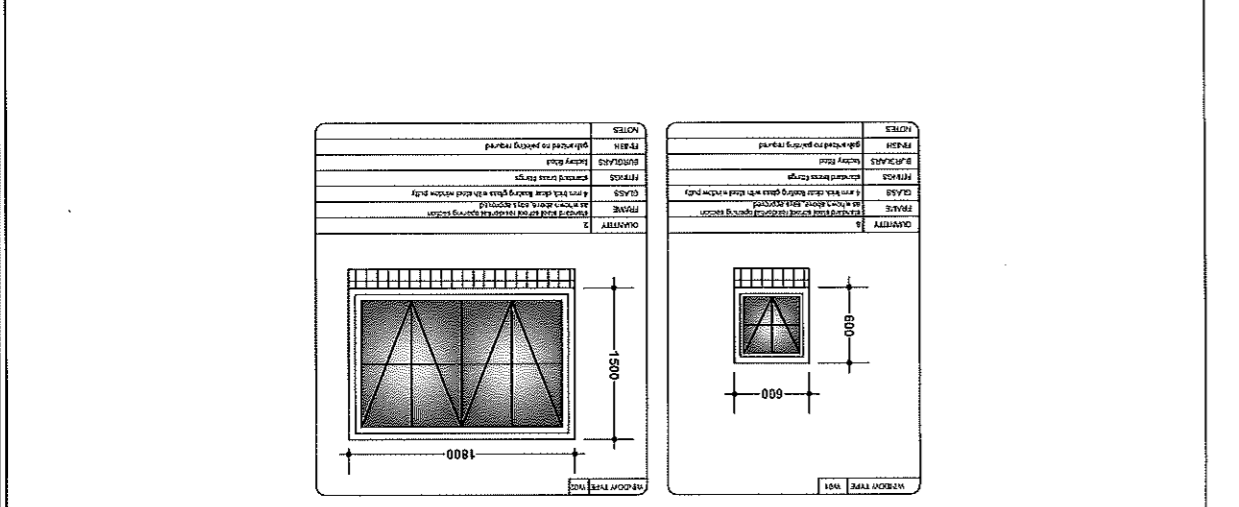
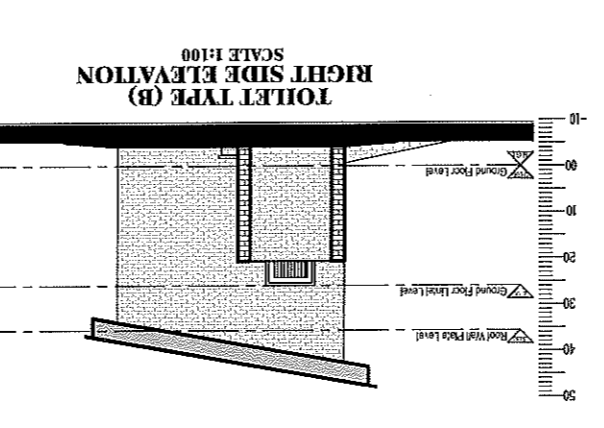
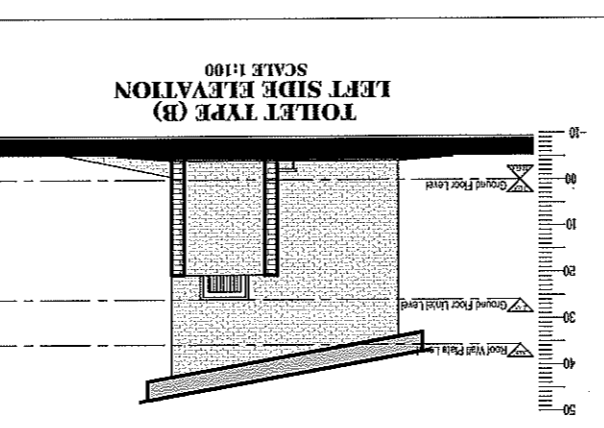
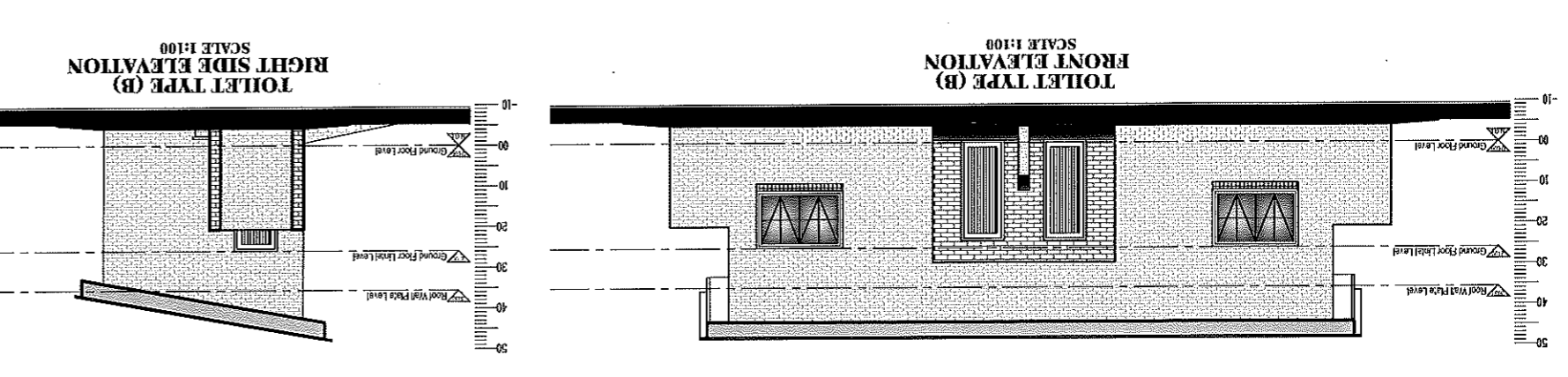
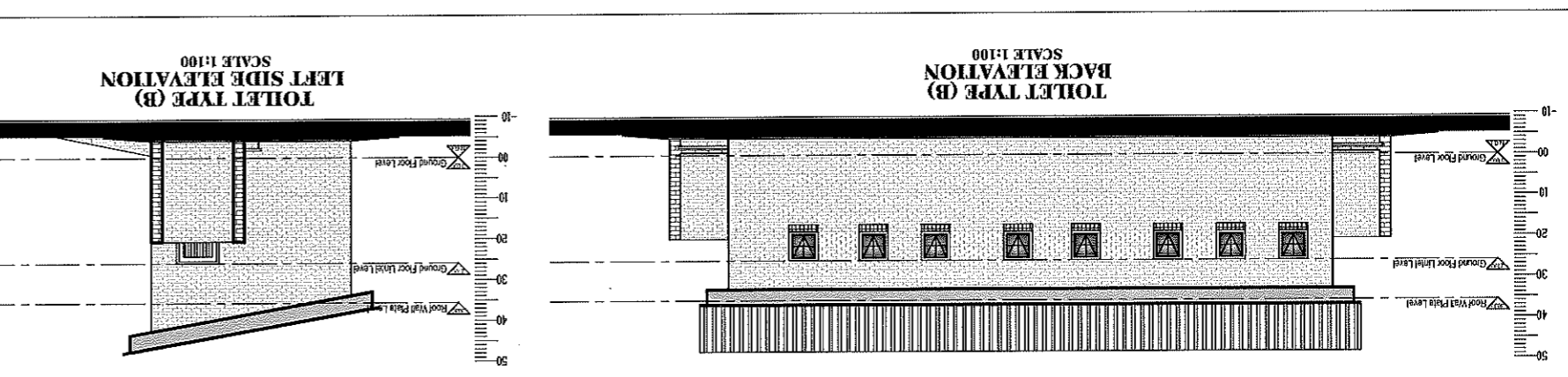
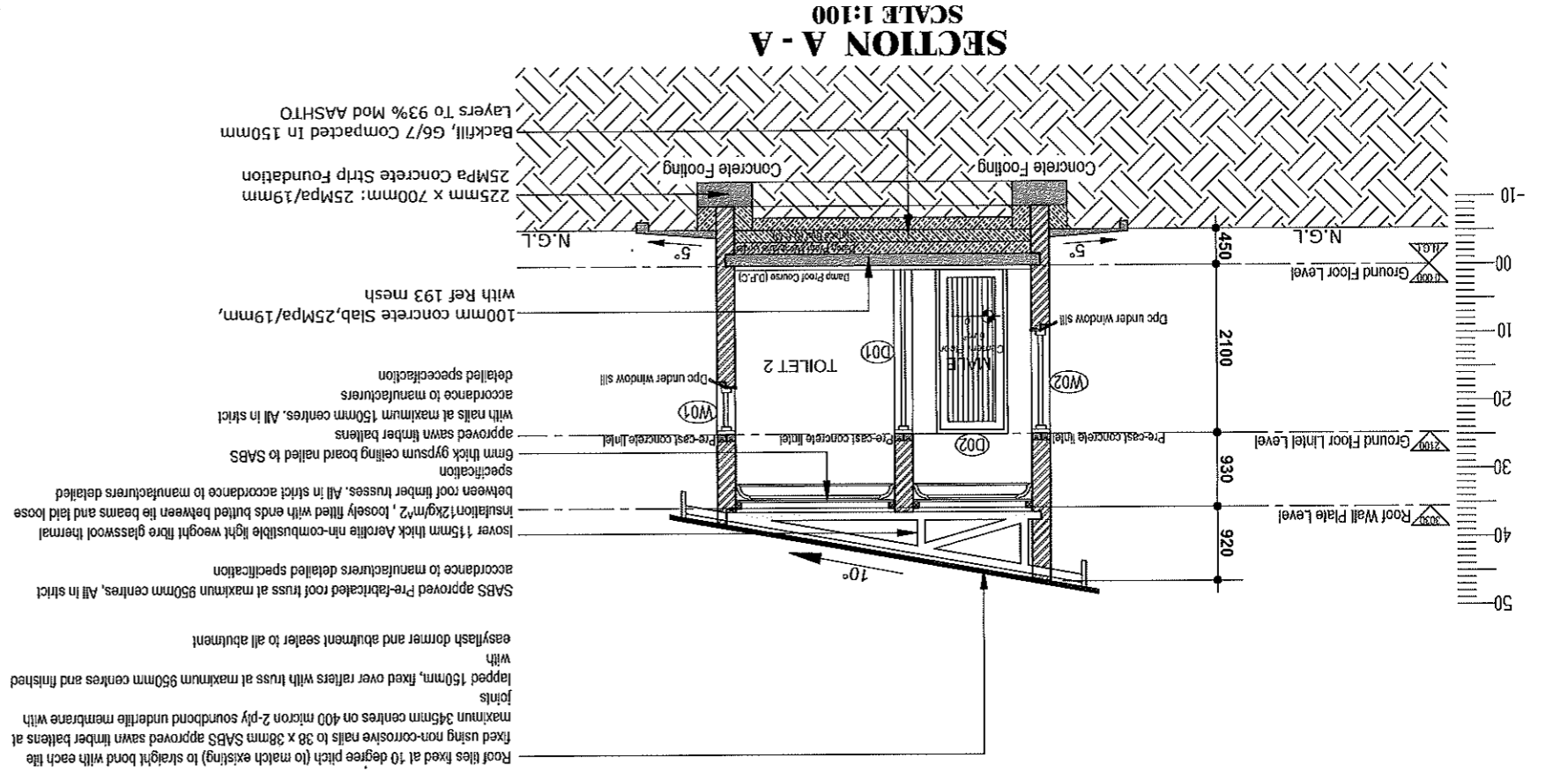
TENDER DRAWING
PINKIE SEBOTSE SPORTS FACILITY
CLIENT LOGO: [Logo]

CLIENT ADDRESS:
CHECKED BY: L. RYOBA
DATE: [Blank]
SIGNATURE: [Blank]

CONSULTANT APPROVAL:
NAME: TFV NDOU
ECSA REG. NO. 200670155
DATE: [Blank]
SIGNATURE: [Blank]

THE ABOVE SIGNATORY AND CHECKER HAVE SEEN AND APPROVED THE DRAWING

| | |
|--------------------------|----------------|
| REVISION NUMBER: | 00 |
| INTERNAL PROJECT NUMBER: | BM 01/21/22 |
| PAPER SCALE: | A1 |
| SCALE: | AS SHOWN |
| SHEET NUMBER: | 1 of 1 |
| DRAWING NUMBER: | T2102PPD001B23 |



NOTES:

ALL DIMENSIONS ARE INDICATED IN MILLIMETERS AND MUST BE CONTROLLED ON SITE

ON SITE PRIOR TO COMMENCING SETTING OUT WORK SHOP DRAWINGS OR CONSTRUCTION

THIS DRAWING MUST NOT BE SCALED, FIGURED DIMENSIONS ONLY TO BE USED.

DISCREPANCIES, ERRORS AND DIMENSIONS ARE TO BE REPORTED TO THE ARCHITECT (EMPLOYER), IMMEDIATELY THEY BECOME EVIDENT.

SHOP DRAWINGS TO BE SUBMITTED FOR APPROVAL PRIOR TO MANUFACTURE OR INSTALLATION.

COPYRIGHT AND RIGHT OF REPRODUCTION OF THIS DRAWING OR ANY PORTION THERE OF IS RESERVED BY THE ENGINEER.

FOUNDATIONS

ALL DIMENSIONS ARE INDICATED IN MILLIMETERS AND MUST BE CONTROLLED ON SITE

ON SITE PRIOR TO COMMENCING SETTING OUT WORK SHOP DRAWINGS OR CONSTRUCTION

THIS DRAWING MUST NOT BE SCALED, FIGURED DIMENSIONS ONLY TO BE USED.

DISCREPANCIES, ERRORS AND DIMENSIONS ARE TO BE REPORTED TO THE ARCHITECT (EMPLOYER), IMMEDIATELY THEY BECOME EVIDENT.

SHOP DRAWINGS TO BE SUBMITTED FOR APPROVAL PRIOR TO MANUFACTURE OR INSTALLATION.

COPYRIGHT AND RIGHT OF REPRODUCTION OF THIS DRAWING OR ANY PORTION THERE OF IS RESERVED BY THE ENGINEER.

FOUNDATIONS

ALL DIMENSIONS ARE INDICATED IN MILLIMETERS AND MUST BE CONTROLLED ON SITE

ON SITE PRIOR TO COMMENCING SETTING OUT WORK SHOP DRAWINGS OR CONSTRUCTION

THIS DRAWING MUST NOT BE SCALED, FIGURED DIMENSIONS ONLY TO BE USED.

DISCREPANCIES, ERRORS AND DIMENSIONS ARE TO BE REPORTED TO THE ARCHITECT (EMPLOYER), IMMEDIATELY THEY BECOME EVIDENT.

SHOP DRAWINGS TO BE SUBMITTED FOR APPROVAL PRIOR TO MANUFACTURE OR INSTALLATION.

COPYRIGHT AND RIGHT OF REPRODUCTION OF THIS DRAWING OR ANY PORTION THERE OF IS RESERVED BY THE ENGINEER.

| REV | DATE | DESCRIPTION |
|-----|------|-------------|
| | | |
| | | |
| | | |
| | | |

| | |
|----------------------|----------|
| DESIGNED BY: | R. ZIGAH |
| DESIGN CHECKED: | L. RYOBA |
| DRAWING BY: | R. ZIGAH |
| DRAWING CHECKED BY: | L. RYOBA |
| SECTION APPROVAL BY: | TFV NDOU |

T2-Tech
ENGINEERS (PTY) LTD

12-TECH ENGINEERS (PTY) LTD
11A, KILIMBARI STREET
JANUFA PARK DRIVE
P.O. BOX 1993
DORSETT
JHB 6043
TEL: 011 251 2112
FAX: 011 251 2114
EMAIL: info@12tech.co.za
WWW: www.12tech.co.za

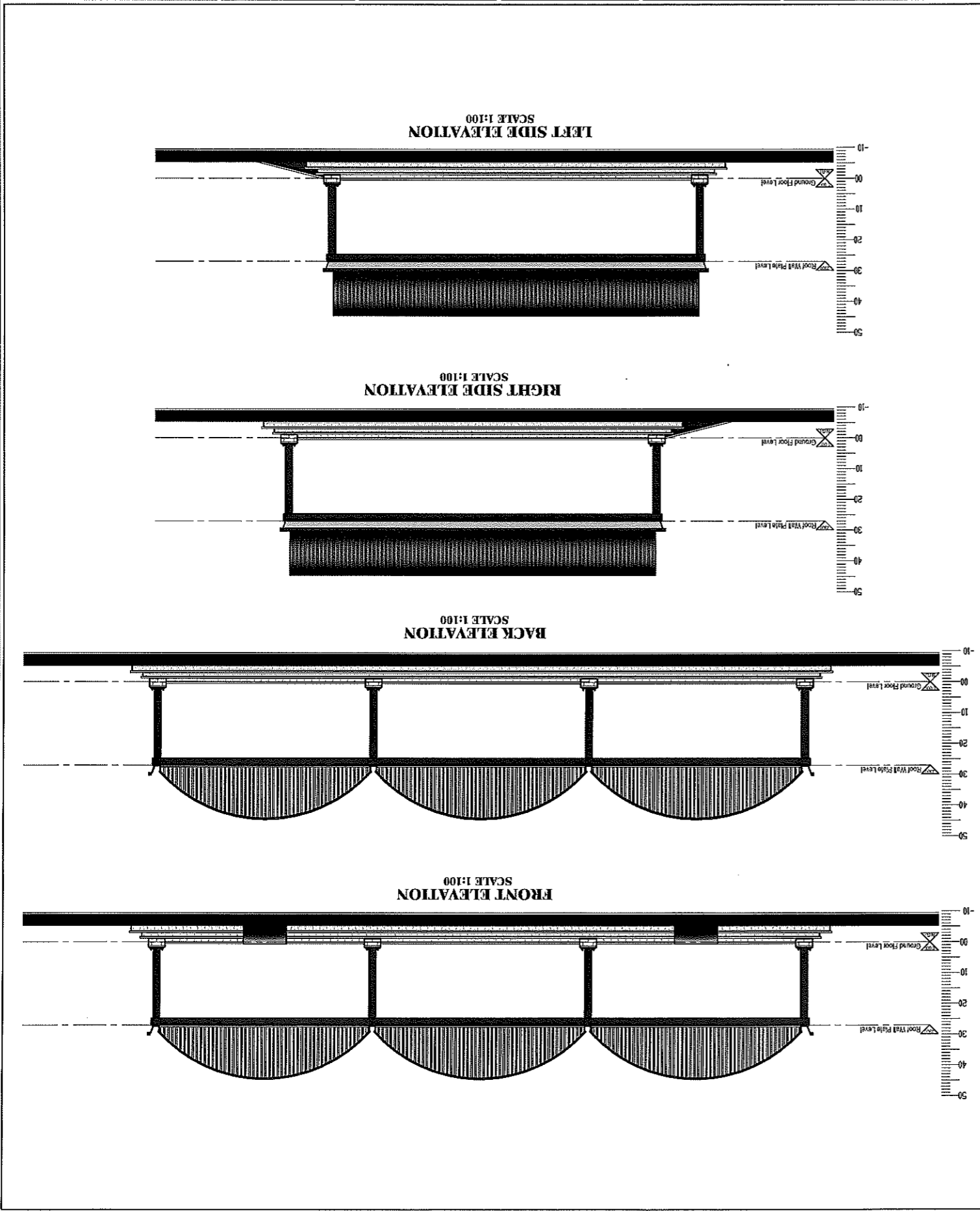
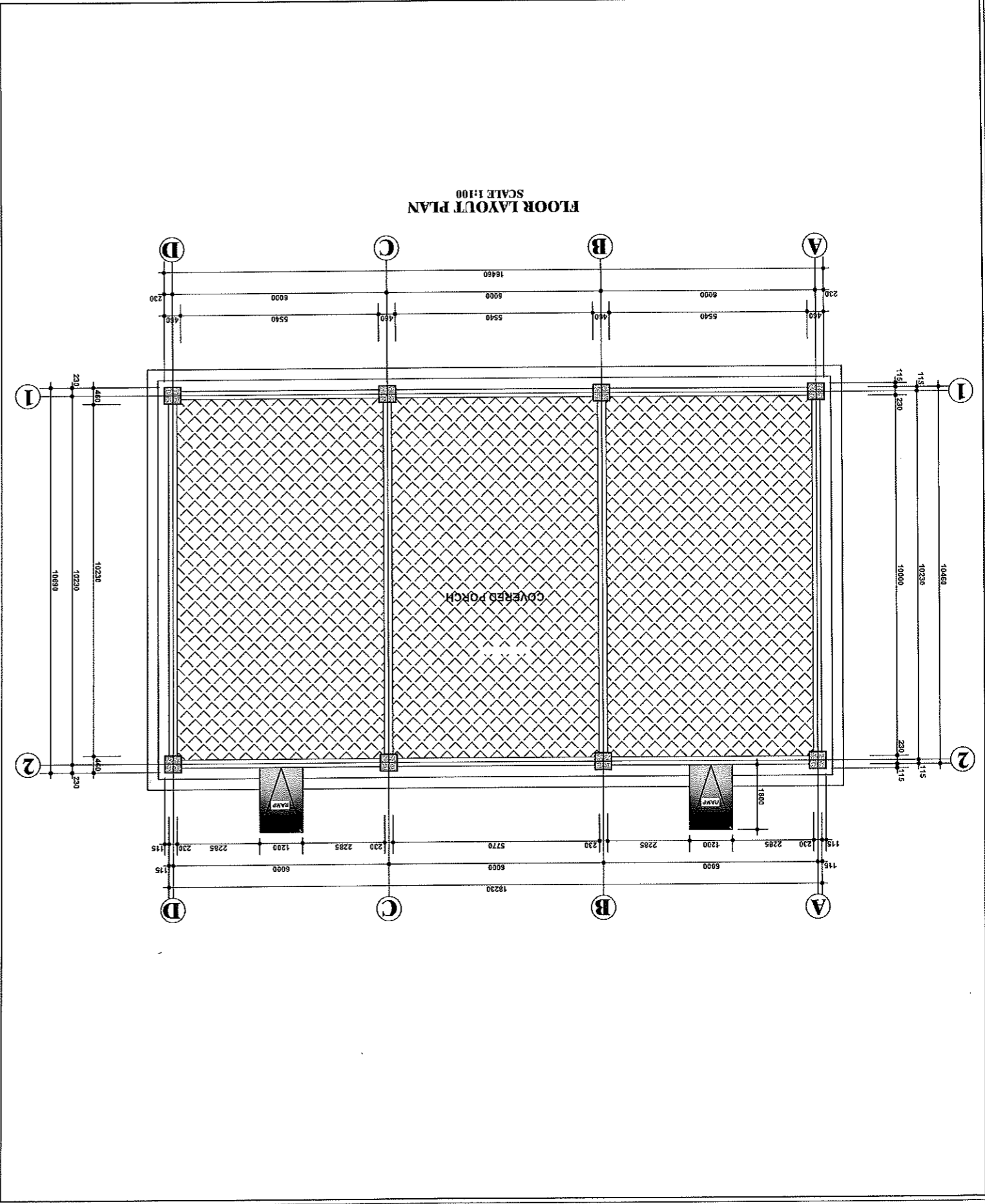
TENDER DRAWING
PROJECT TITLE:
PINKIE SEBOTSE SPORTS FACILITY
DRAWING TITLE:
COVERED PORCH FLOOR LAYOUT PLAN & ELEVATIONS

CLIENT LOGO:
CLIENT ADDRESS:
CLIENT NAME: L. RYOBA
CHECKED BY:
DATE:
SIGNATURE:
ECSA: REG. NO. 2019300358

CONSULTANT APPROVAL:
NAME: TFV NDOU
DATE:
SIGNATURE:
ECSA: REG. NO. 200670165

THE ABOVE SIGNATORY
CERTIFY THAT THE DESIGNER
AND CHECKER HAVE SEEN
AND APPROVED THE
DRAWING

INTERNAL PROJECT NUMBER: BM 01/2/1/22
SHEET NUMBER: 00
SCALE: AS SHOWN
DRAWING NUMBER: T2102PD00CP24
1 of 1



| REV. | DATE | REVISION | DESCRIPTION |
|------|------|----------|-------------|
| | | | |

| DESIGNED BY: | DRAWN BY: | CHECKED BY: | DATE: |
|--------------|-----------|-------------|-------|
| R. ZIGAH | L. RYOBA | L. RYOBA | |

T2-Tech
ENGINEERS (PTY) LTD

12-TECH ENGINEERS (PTY) LTD
128, KENNEDY AVENUE
JHB 2001
TEL: 011 551 3330
FAX: 011 551 3114
E-MAIL: info@t2tech.co.za

TENDER DRAWING

PROJECT TITLE: PINKIE SEBOTSE SPORTS FACILITY

CLIENT ADDRESS: BLOEMBURG MUNICIPALITY
P.O. Box 5993
Bloemburg,
0950
TEL: 018 958 7100
FAX: 018 958 0994

SEPTIC TANK DETAILS

DATE:

SIGNATURE:

DATE:

SIGNATURE:

NAME: L. RYOBA

NAME: T.FV NDOU

CSA: REG. NO. 2019200368

CSA: REG. NO. 200670165

REVISION SCHEDULE

THE ABOVE SIGNATORY AND CHECKER HAVE SEEN AND APPROVED THE DRAWING

DATE: 01/21/22

SCALE: AS SHOWN

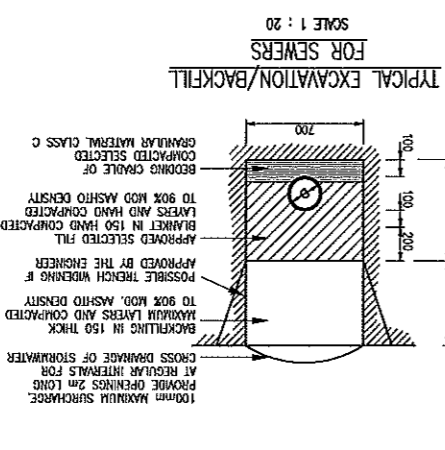
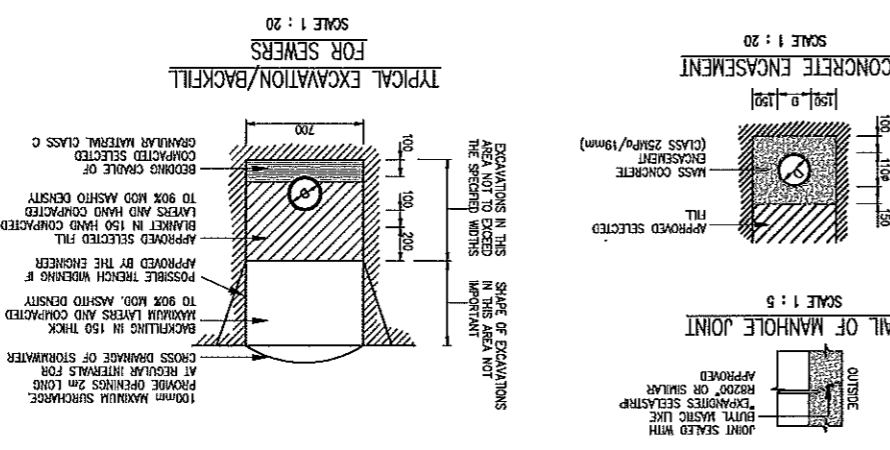
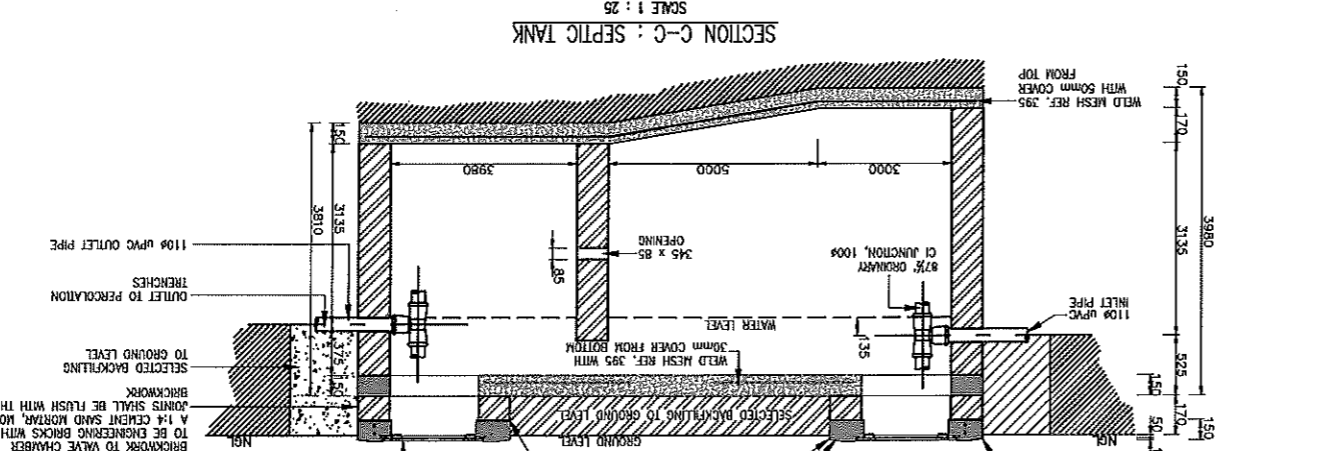
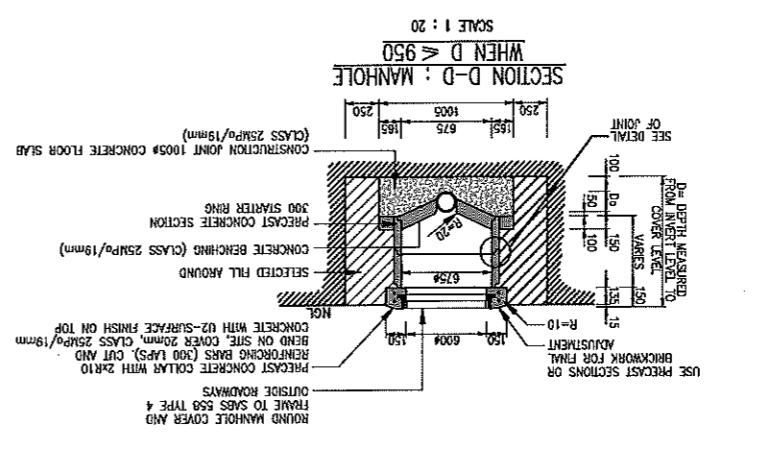
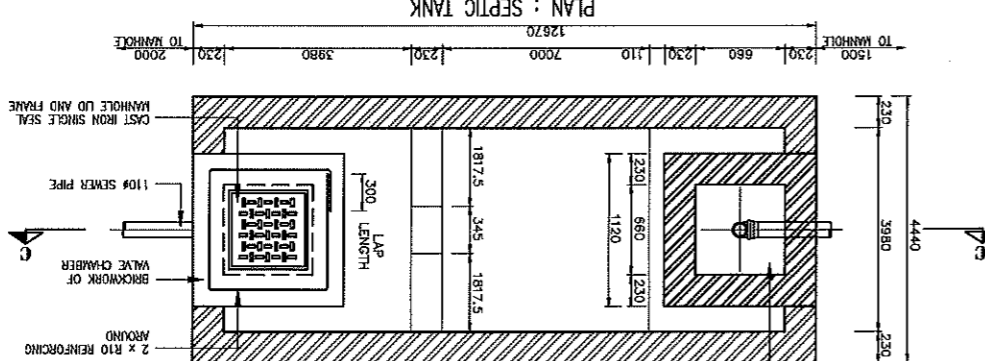
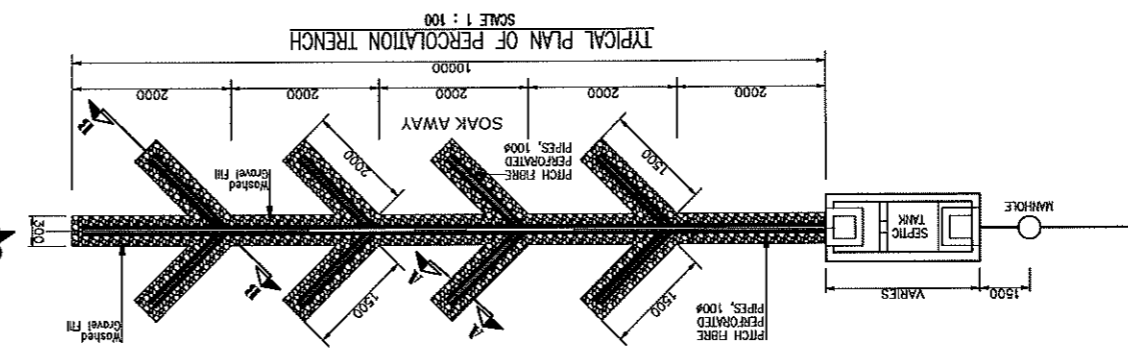
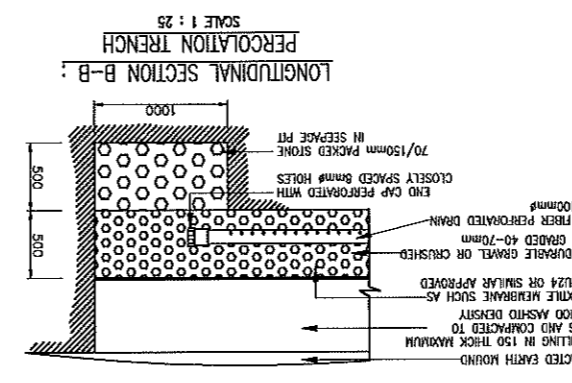
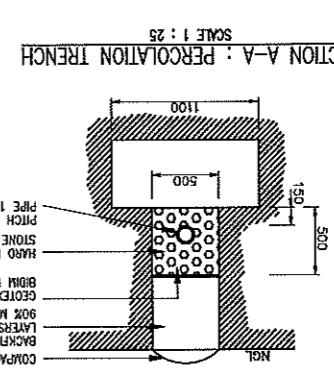
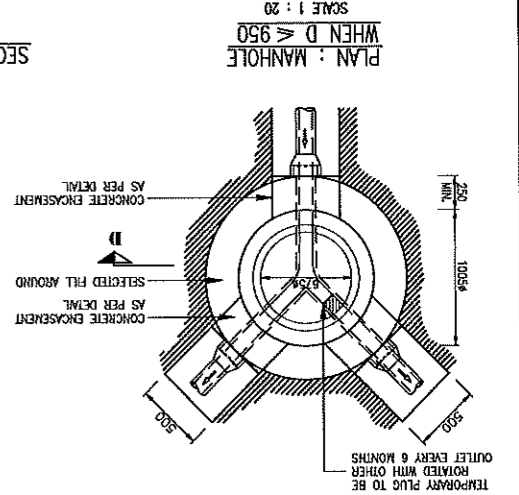
PROJECT NUMBER: BM 01/21/22

SHEET NUMBER: 1 OF 1

SCHEDULE

LEGEND

| No. | User Capacity | Length | Width | Leaching Chamber Length | Width |
|-----|---------------|--------|-------|-------------------------|-------|
| 1 | 31 - 35 | 2.1m | 1.05m | 1.05m | 1.05m |
| 2 | 36 - 40 | 3.15m | 1.58m | 1.58m | 1.58m |
| 3 | 41 - 45 | 3.56m | 1.78m | 1.78m | 1.78m |
| 4 | 46 - 50 | 3.97m | 1.98m | 1.98m | 1.98m |
| 5 | 51 - 55 | 4.38m | 2.18m | 2.18m | 2.18m |
| 6 | 56 - 60 | 4.79m | 2.38m | 2.38m | 2.38m |
| 7 | 61 - 65 | 5.20m | 2.58m | 2.58m | 2.58m |
| 8 | 66 - 70 | 5.61m | 2.78m | 2.78m | 2.78m |
| 9 | 71 - 75 | 6.02m | 2.98m | 2.98m | 2.98m |
| 10 | 76 - 80 | 6.43m | 3.18m | 3.18m | 3.18m |
| 11 | 81 - 85 | 6.84m | 3.38m | 3.38m | 3.38m |
| 12 | 86 - 90 | 7.25m | 3.58m | 3.58m | 3.58m |
| 13 | 91 - 95 | 7.66m | 3.78m | 3.78m | 3.78m |
| 14 | 96 - 100 | 8.07m | 3.98m | 3.98m | 3.98m |



WATER NOTES:

ALL WATER PIPES TO BE PVC CLASS 6 PIPES.

ALL TEES, REDUCERS, END CAPS AND BENDS TO BE "THASSON" COMPRESSION FITTINGS.

MAN FITTINGS AND PIPES WERE SIZED UP TO THE OUTSIDE CONSTRUCTION, INTERNAL PIPING AND FITTINGS TO BE DONE AS PER ARCHITECT'S DRAWINGS.

FLEXIBLE PIPES PER DWA-18-2, COMPLETE WITH LAY AND BED MORE PRESS OR GRANULAR BEDDING FOR COMPRESSION FITTINGS AND COUPLINGS.

SEWER NOTES:

CONCRETE MANHOLE LID AND FRAME TO SABS 558 TYPE 98 'RESMANS' NO. M1695.

BRICKWORK TO VALE CHAMBER TO BE ENGINEERING BRICKS WITH A 1:4 CEMENT SAND MORTAR, JOINTS SHALL BE FLUSH WITH THE BRICKWORK.

ALL CONCRETE TO BE DONE IN ACCORDANCE WITH SABS 1200 & 1200 &.

SELECTED BACKFILLING TO GROUND LEVEL.

LOAD BEARING BRICKWORK.

BRICK REINFORCEMENT IN ACCORDANCE WITH BS 785 TO BE 250mm.

MINIMUM THICKNESS OF ALL LOAD BEARING BRICK WALLS TO BE 250mm.

SLUMP OF THE MIX NOT EXCEED 50mm.

CONCRETE PORTLAND CEMENT TO SABS 471, AND SAND TO SABS 227. MORTAR SHALL BE MADE 1:4 WITH BRICKS SHALL BE ENGINEERING CLAY BRICKS TO LOAD BEARING PURPOSES.

LOAD BEARING BRICKWORK.

TRENCHES AND BACKFILLING OF TRENCHES TO COMPLY WITH SABS 1200 &.

BENDING OF PIPES TO COMPLY WITH SABS 1200 LR WHEN COVER IS LESS THAN 450mm.

SEWERS TO BE ENCASED IN CONCRETE AS DETAILLED.

THE INLET OF STORMWATER TO BE PROHIBITED.

MANHOLES AND FITTINGS:

ALL CONCRETE BEARING AND SEALERS TO COMPOSE OF DOLOMITE AGGREGATE.

PRECAST CONCRETE SECTIONS - 25MPa/19mm.

ALL OTHER CONCRETE.

CHAMBERS IN MANHOLES TO BE LAID IN THE NET.

CONCRETE FLOOR AND THE PRECAST CONCRETE SECTION TO BE PLACED AND THE BEARING COVERED WITHIN 2 HOURS AFTER CASTING THE CONCRETE FLOOR.

NO DRESS WILL BE PERMITTED FOR THE BEARING.

FINISHES.

CAST IRON MANHOLE COVERS AND FRAMES TO COMPLY WITH SABS 554.

STEP IRONS TO BE GALVANISED AND TO COMPLY WITH SABS 1247.

BEARING COVER:

REQUIREMENTS OF SABS 1024.

ALL PIPES TO BE "MANHOLE" PVC STRUCTURAL DRAIN PIPES TO SABS 1600.

ALL BENDS, JUNCTIONS, ACCESS JUNCTIONS AND GALLEYS TO BE MANHOLE STRUCTURAL WALL.

INTERNAL PIPING AND FITTINGS TO BE DONE AS PER ARCHITECT'S DRAWINGS.